

CS71-03D25-25-1

Former P/N: CES7100255CD08RPN250STR

Rev. 3-2023
RoHS3 & REACH
Oval Speakers



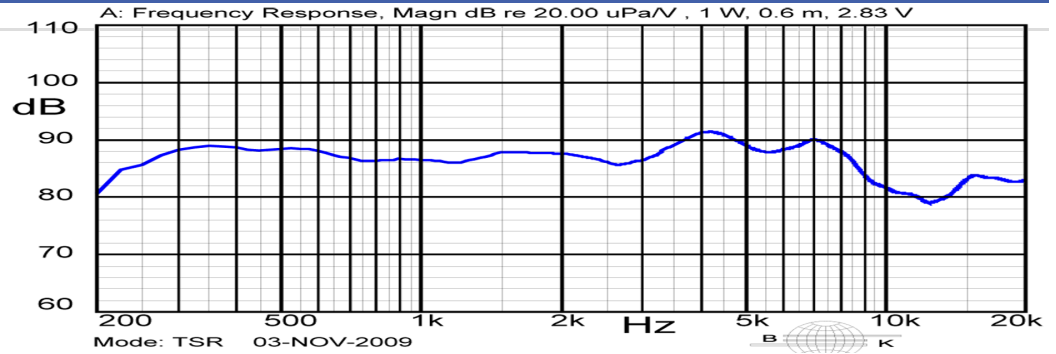
Operating Characteristics

ELECTRICAL

Rated Power	3.0 W
Short Term Max Power	5.0 W
Impedance	8 Ω ± 15 % 1000 Hz; 0.125 W

ACOUSTIC: Baffle Board

f_o	250 Hz ± 20 % 0.125 W
Freq. Range	250 to 20000 Hz
Rated SPL	86 ± 3 dB 800, 1000, 1200, 1500 Hz; AVG; 1.0 W; 50 cm;
Distortion	<5 % 1000 Hz; 0.2 W



Physical Characteristics

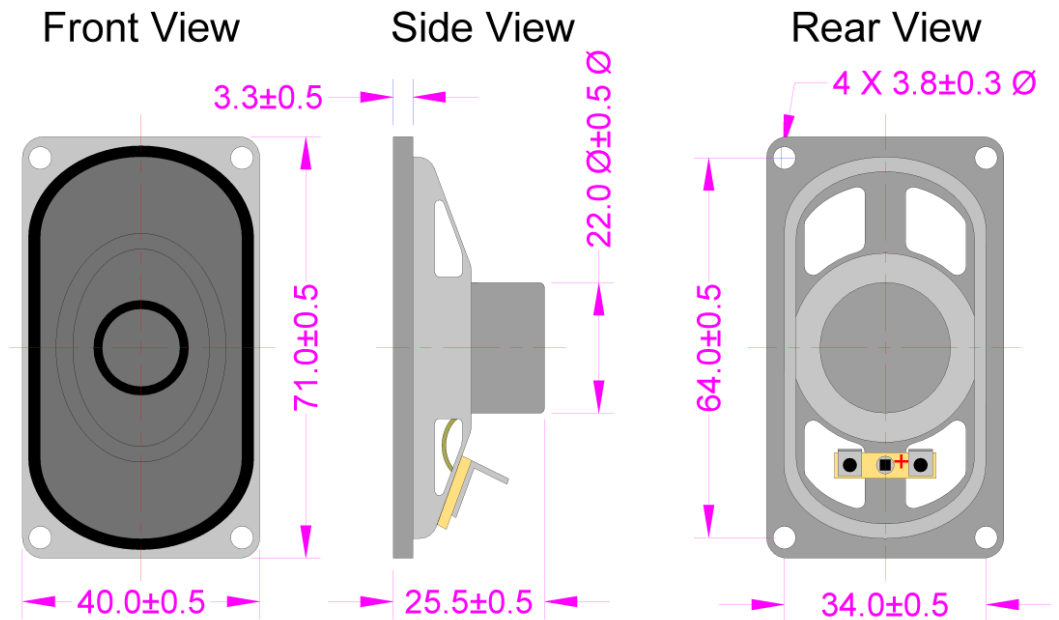
MATERIALS

Housing	Steel
Cone	Paper with Cloth Edge
Magnet	NdFeB
Solder Tab	Tin Plated Iron

TEMPERATURE RANGES

Operating	-20 to +60 °C
Storage	-30 to +70 °C

Weight 38 g



All measurements in mm unless otherwise noted.

Revision	Description	By	Date
2-2019	Migrate to new format	JL	2019-06-21
3-2023	Added part image.	SK	2023-05-10

Warranty: For a period of one (1) year from date of shipping under normal operations conditions. This warranty does not apply to products damaged through misuse, abuse, improper installation, alteration, rework, or attempt to repair.

The information contained herein is believed to be correct, but no guarantee or warranty, express or implied, with respect to accuracy, completeness or results is extended and no liability is assumed. Challenge Electronics reserves the right to make changes in any specification, data or material contained herein.