

CS52-05D12-31-1

Rev. 0-2022
RoHS3 & REACH
Square Speakers



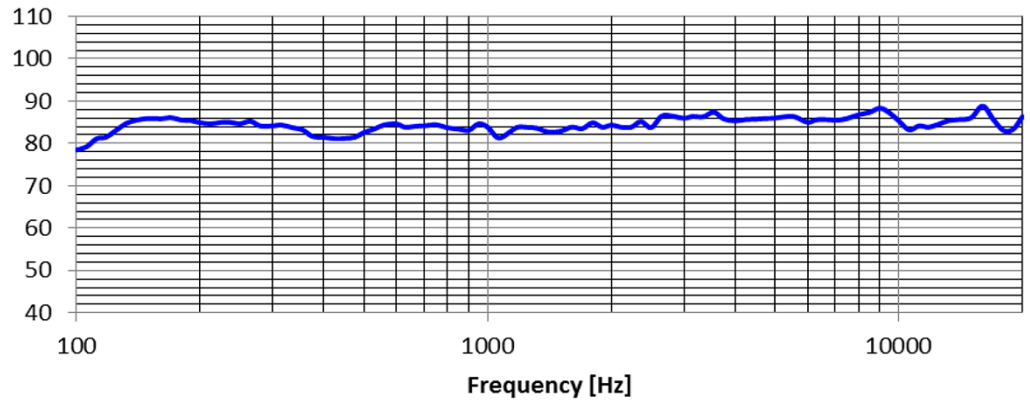
Operating Characteristics

ELECTRICAL

Rated Power	5 W
Short Term Max Power	8 W
Impedance	4 Ω ± 15 % 1000 Hz; 1 W

ACOUSTIC: Baffle Board

f_o	120 Hz ± 20 % 1 W
Freq. Range	120 to 20000 Hz
Rated SPL	82 ± 3 dB 2000 - 4000 Hz; AVG; 1 W; 100 cm;
Distortion	Max 5 % 1000 Hz; 1 W



Physical Characteristics

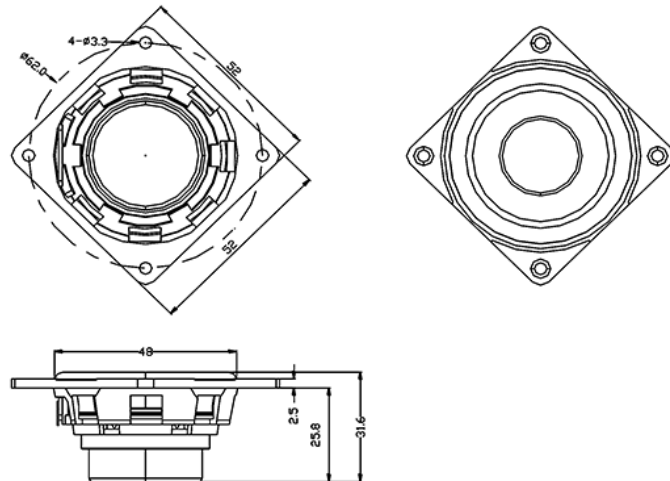
MATERIALS

Housing	ABS
Cone	PU + Paper
Magnet	NdFeB
Solder Tabs	Paper + Tin Plated Iron

TEMPERATURE RANGES

Operating	-20 to +60 °C
Storage	-25 to +70 °C

Weight 70 g



General tolerance = ±0.3 mm and all measurements in mm unless otherwise noted.

Revision	Description	By	Date
0-2022	Original Specification	CT	2022-12-06

Warranty: For a period of one (1) year from date of shipping under normal operations conditions. This warranty does not apply to products damaged through misuse, abuse, improper installation, alteration, rework, or attempt to repair.

The information contained herein is believed to be correct, but no guarantee or warranty, express or implied, with respect to accuracy, completeness or results is extended and no liability is assumed. Challenge Electronics reserves the right to make changes in any specification, data or material contained herein.