

INDICATORS • SPEAKERS • SOUND TRANSDUCERS • ENCLOSURES • MICROPHONES • BATTERY ACCESSORIES

CS50-02D22-20-1

Former P/N: CS500-0222-201

Rev. 2-2019
RoHS3 & REACH
Round Speakers



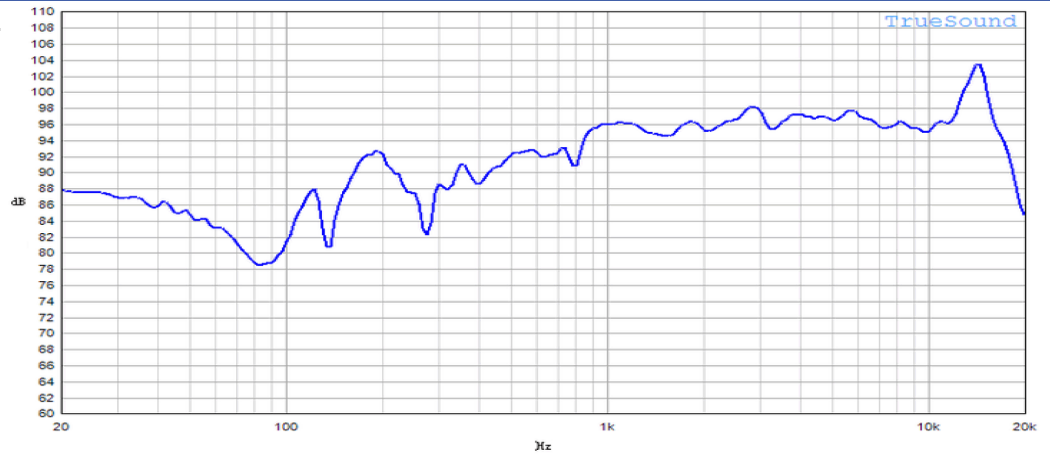
Operating Characteristics

ELECTRICAL

Rated Power	2.0 W
Short Term Max Power	4.0 W
Impedance	4 Ω ± 15 % 1000 Hz; 0.25 W

ACOUSTIC: Baffle Board

f_0	220 Hz ± 20 % 0.25 W
Freq. Range	220 to 20000 Hz
Rated SPL	80 ± 3 dB 600, 800, 1000, 1200 Hz; 1.0 W; 100 cm;
Distortion	<5 % 1000 Hz; 0.25 W



Physical Characteristics

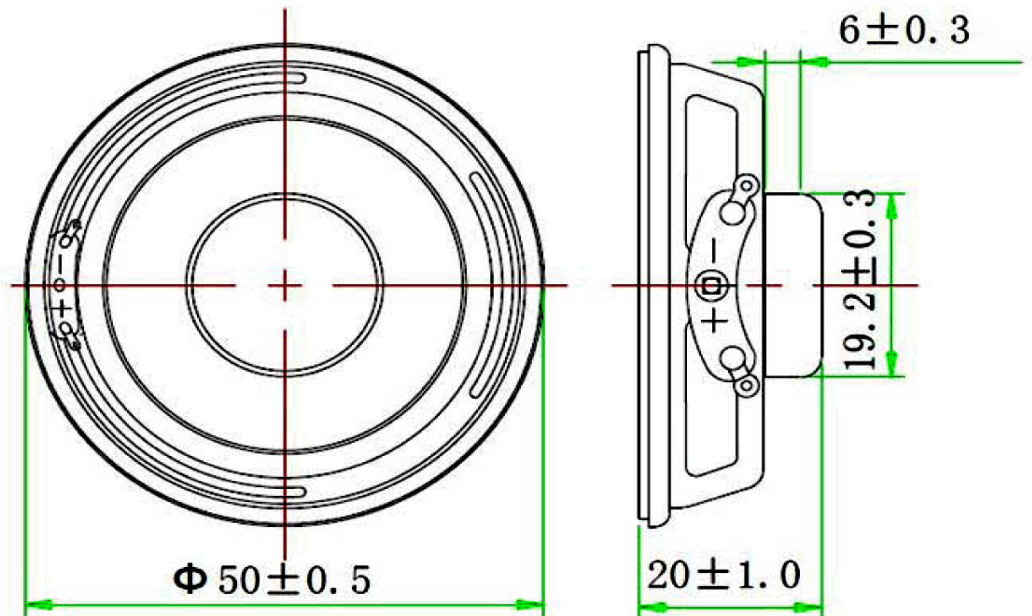
MATERIALS

Housing	Steel
Cone	PU + Paper
Magnet	NdFeB

TEMPERATURE RANGES

Operating	-25 to +70 °C
Storage	-30 to +80 °C

Weight 28 g



Revision	Description	By	Date
1-2018	Updated mechanical drawing dimensions from 22 +/- 0.5 mm to 19.2 +/- 0.3 mm	JL	2018-06-01
2-2019	Migrate to new format	JL	2019-06-21

Warranty: For a period of one (1) year from date of shipping under normal operations conditions This warranty does not apply to products damaged through misuse, abuse, improper installation, alteration, rework, or attempt to repair.