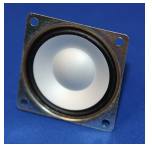


INDICATORS • SPEAKERS • SOUND TRANSDUCERS • ENCLOSURES • MICROPHONES • BATTERY ACCESSORIES

CS41-05D20-24-1

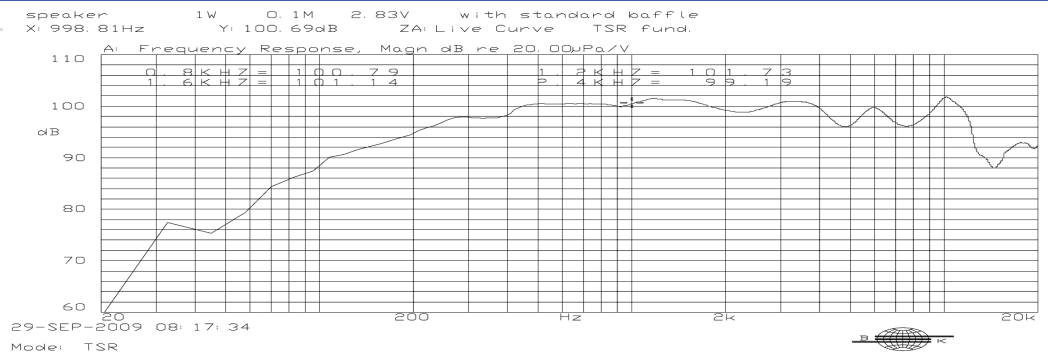
Former P/N: CES410S2465HA08SLN200TR

Rev. 2-2019
 RoHS3 & REACH
 Square Speakers



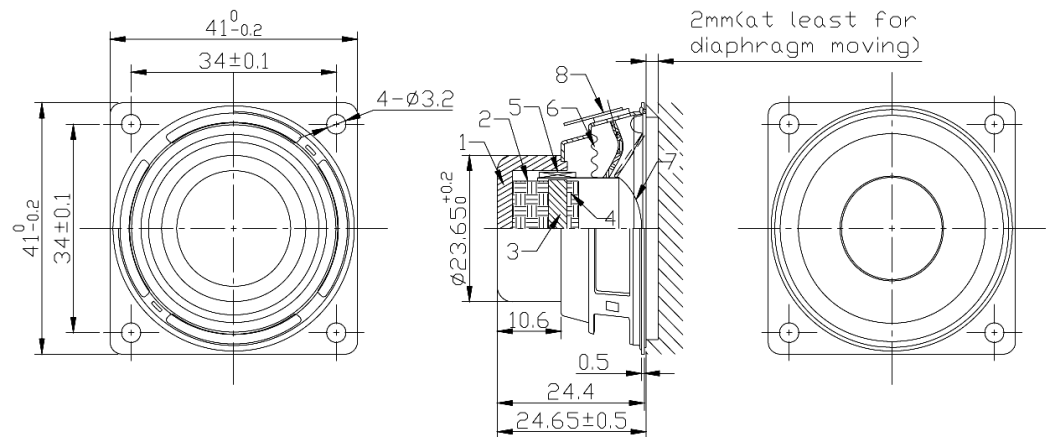
Operating Characteristics

ELECTRICAL	
Rated Power	5 W
Short Term Max Power	7 W
Impedance	8 Ω ± 15 % 800 Hz; 0.125 W
ACOUSTIC: Baffle Board	
f_0	200 Hz ± 15 % 0.125 W
Freq. Range	200 to 20000 Hz
Rated SPL	100 ± 2 dB 800, 1200, 1600, 2400 Hz; 1.0 W; 10 cm;
Distortion	5 % 1000 Hz; 2.5 W



Physical Characteristics

MATERIALS	
Housing	Steel
Cone	Aluminum
Magnet	NdFeB
TEMPERATURE RANGES	
Operating	-20 to +60 °C
Storage	-25 to +60 °C
Weight	44 g



Revision	Description	By	Date
1-2017	Changed operating temp from -25°C to -20°C. Added shipping quantity and weight.	WS	2017-05-24
2-2019	Migrate to new format	WS	2019-06-21

Warranty: For a period of one (1) year from date of shipping under normal operations conditions This warranty does not apply to products damaged through misuse, abuse, improper installation, alteration, rework, or attempt to repair.

The information contained herein is believed to be correct, but no guarantee or warranty, express or implied, with respect to accuracy, completeness or results is extended and no liability is assumed. Challenge Electronics reserves the right to make changes in any specification, data or material contained herein.