

INDICATORS • SPEAKERS • SOUND TRANSDUCERS • ENCLOSURES • MICROPHONES • BATTERY ACCESSORIES

CS40-01P65-05-1

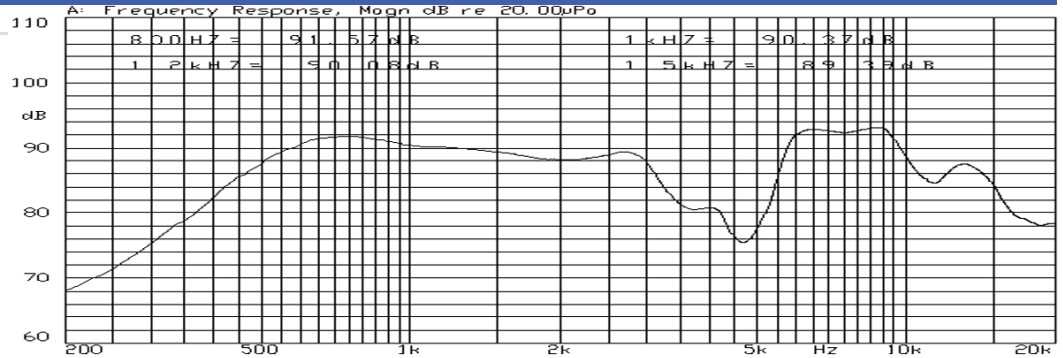
Former P/N: CES400V058BF08PCN650UR

Rev. 1-2019
RoHS3 & REACH
Oval Speakers



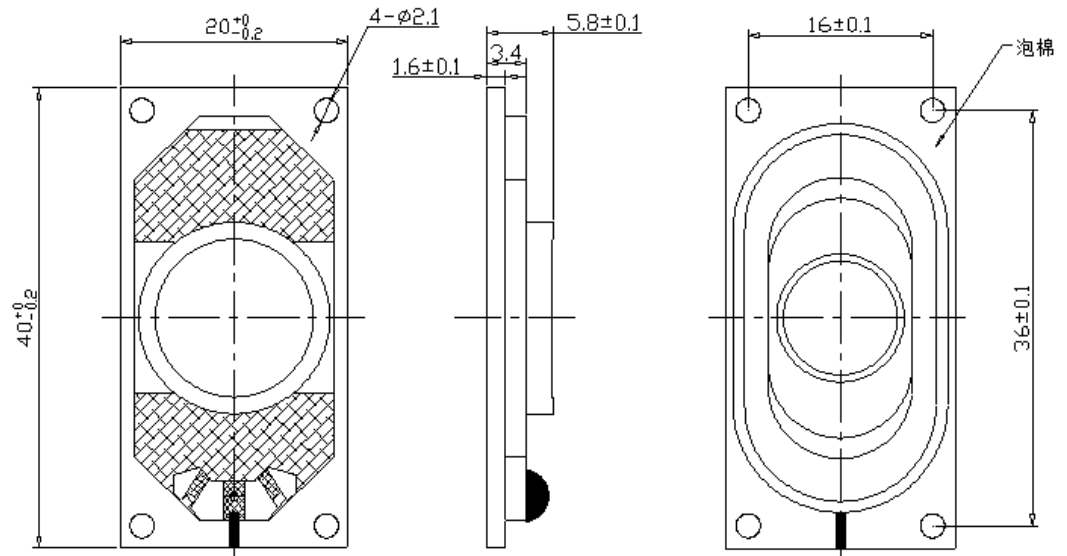
Operating Characteristics

ELECTRICAL	
Rated Power	1.0 W
Short Term Max Power	1.5 W
Impedance	8 Ω ± 15 % 1000 Hz; 0.125 W
ACOUSTIC: Baffle Board	
f_0	650 Hz ± 20 % 0.125 W
Freq. Range	650 to 20000 Hz
Rated SPL	90 ± 3 dB 800, 1000, 1200, 1500 Hz; 0.1 W; 10 cm;
Distortion	<5 % 1000 Hz; 0.125 W



Physical Characteristics

MATERIALS	
Housing	Plastic
Cone	Cloth
Magnet	NdFeB
Solder Pad	Tin Plated Copper
TEMPERATURE RANGES	
Operating	-45 to +80 °C
Storage	-45 to +80 °C
Weight	7.6 g



Revision	Description	By	Date
1-2019	Migrate to new format	WS	2019-06-21

Warranty: For a period of one (1) year from date of shipping under normal operations conditions This warranty does not apply to products damaged through misuse, abuse, improper installation, alteration, rework, or attempt to repair.

The information contained herein is believed to be correct, but no guarantee or warranty, express or implied, with respect to accuracy, completeness or results is extended and no liability is assumed. Challenge Electronics reserves the right to make changes in any specification, data or material contained herein.
©2019 Challenge Electronics, Inc. 20190826155101