

INDICATORS • SPEAKERS • SOUND TRANSDUCERS • ENCLOSURES • MICROPHONES • BATTERY ACCESSORIES

CS40-01P45-04-1

Former P/N: CES400R049BF08SMN450UR

Rev. 1-2019
RoHS3 & REACH
Round Speakers



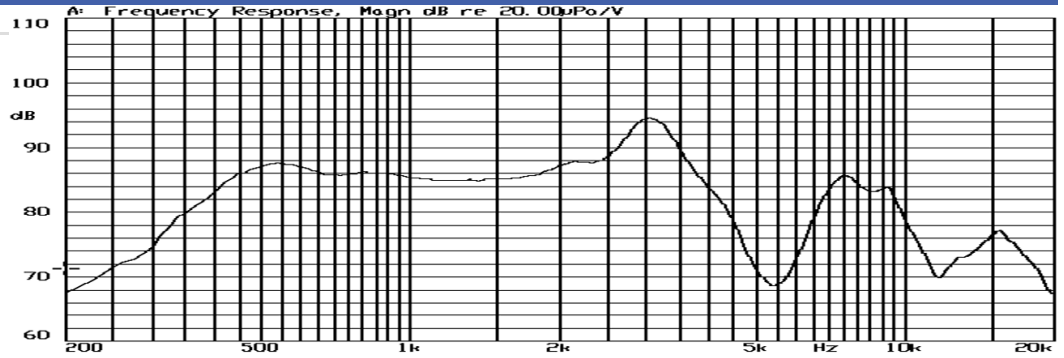
Operating Characteristics

ELECTRICAL

Rated Power	1.0 W
Short Term Max Power	1.5 W
Impedance	8 Ω ± 15 % 1000 Hz; 0.125 W

ACOUSTIC: Baffle Board

f_0	450 Hz ± 20 % 0.125 W
Freq. Range	450 to 20000 Hz
Rated SPL	86 ± 3 dB 1000 Hz; 1.0 W; 100 cm;
Distortion	5 % 1000 Hz; 1 W



Physical Characteristics

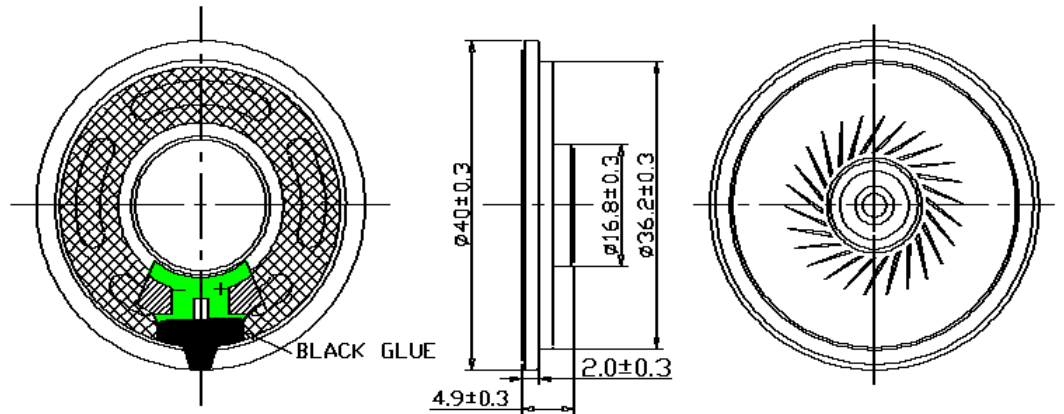
MATERIALS

Housing	Steel
Cone	PEI
Magnet	NdFeB
Solder Pad	Tin Plated Copper

TEMPERATURE RANGES

Operating	-40 to +85 °C
Storage	-40 to +85 °C

Weight 9.5 g



Revision	Description	By	Date
1-2019	Migrate to new format	JL	2019-06-21

Warranty: For a period of one (1) year from date of shipping under normal operations conditions This warranty does not apply to products damaged through misuse, abuse, improper installation, alteration, rework, or attempt to repair.