

## CS40-00P45-07-1

Former P/N: CE-4008DLF

Rev. 2-2019  
RoHS3 & REACH  
Round Speakers



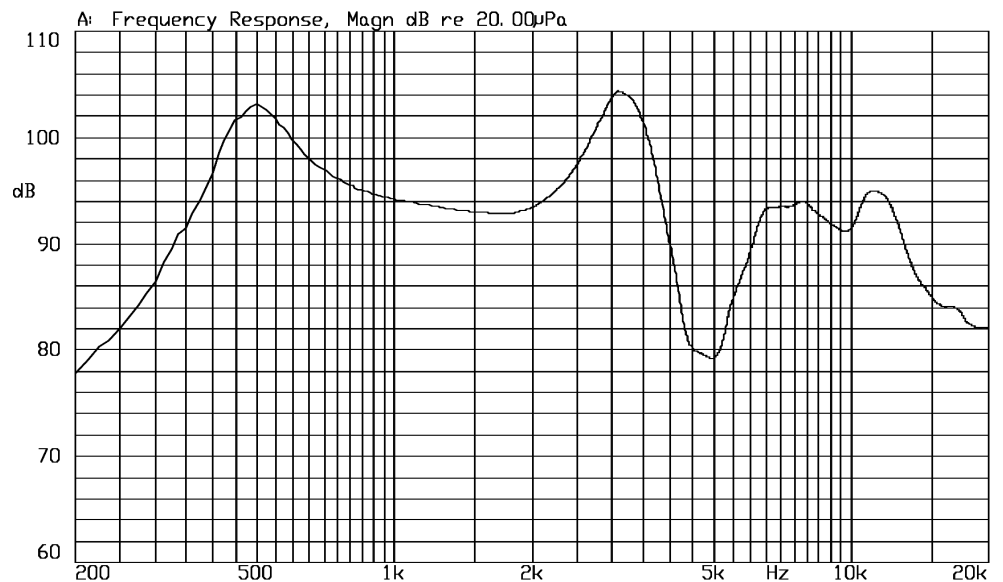
### Operating Characteristics

#### ELECTRICAL

Rated Power	0.5 W
Short Term Max Power	0.8 W
Impedance	8 Ω ± 15 % 2000 Hz; 0.125 W

#### ACOUSTIC: Baffle Board

$f_0$	450 Hz ± 20 % 0.125 W
Freq. Range	450 to 4000 Hz
Rated SPL	93 ± 3 dB 800, 1000, 1200, 1500 Hz; 0.1 W; 10 cm;
Distortion	<5 % 1000 Hz; 0.1 W



Mode: TSR



### Physical Characteristics

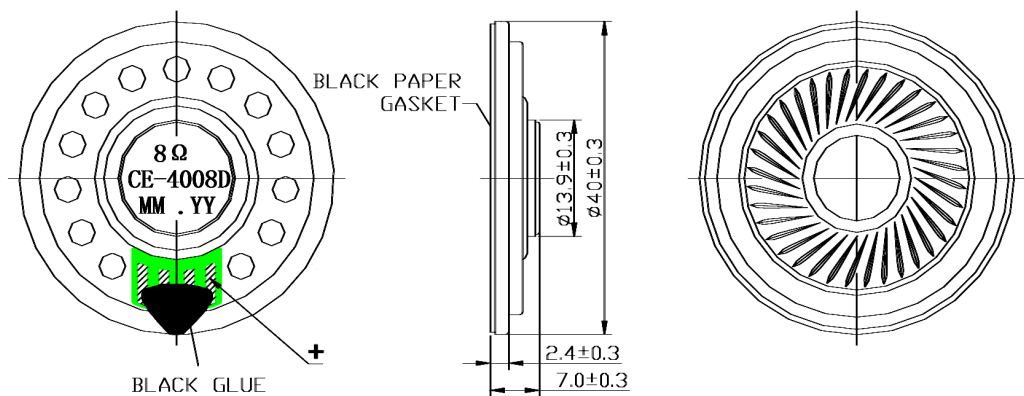
#### MATERIALS

Housing	Steel
Cone	Black PET
Magnet	NdFeB
Solder Pad	Tin Plated Copper

#### TEMPERATURE RANGES

Operating	-20 to +60 °C
Storage	-30 to +60 °C

Weight 12 g



Unless otherwise specified, tolerance: ± 0.3(unit: mm)

Revision	Description	By	Date
0-2007	Initial Specification Sheet	EZ	2007-05-28
2-2019	Migrate to new format.	JL	2019-02-12

Warranty: For a period of one (1) year from date of shipping under normal operations conditions This warranty does not apply to products damaged through misuse, abuse, improper installation, alteration, rework, or attempt to repair.

The information contained herein is believed to be correct, but no guarantee or warranty, express or implied, with respect to accuracy, completeness or results is extended and no liability is assumed. Challenge Electronics reserves the right to make changes in any specification, data or material contained herein.