

INDICATORS • SPEAKERS • SOUND TRANSDUCERS • ENCLOSURES • MICROPHONES • BATTERY ACCESSORIES

## CS36-02P38-05-1

Former P/N: CES360R050CF04SMN380UR

Rev. 1-2019  
 RoHS3 & REACH  
 Round Speakers



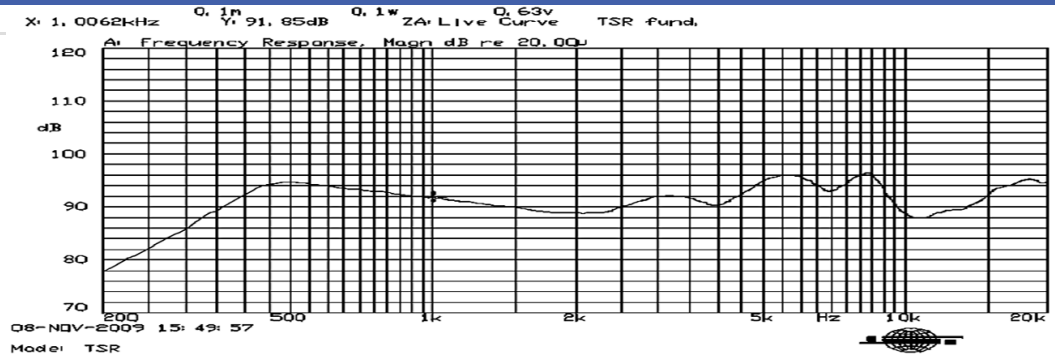
### Operating Characteristics

#### ELECTRICAL

Rated Power	2.0 W
Short Term Max Power	2.5 W
Impedance	4 Ω ± 15 % 1500 Hz; 0.25 W

#### ACOUSTIC: Baffle Board

$f_0$	380 Hz ± 20 % 0.25 W
Freq. Range	380 to 10000 Hz
Rated SPL	88 ± 3 dB 600, 800, 1200, 1500 Hz; 0.1 W; 10 cm;
Distortion	<5 % 1000 Hz; 0.25 W



### Physical Characteristics

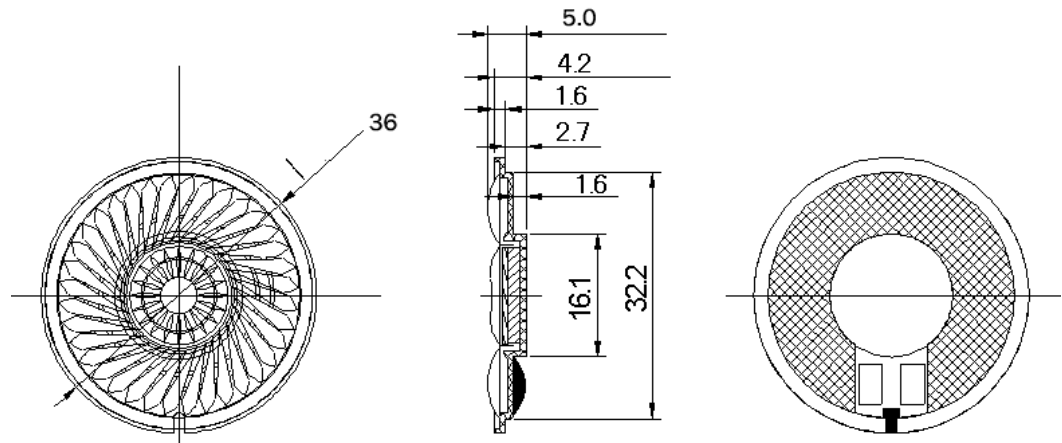
#### MATERIALS

Housing	Steel
Cone	Black PET
Magnet	NdFeB
Solder Pad	Tin Plated Copper

#### TEMPERATURE RANGES

Operating	-25 to +80 °C
Storage	-25 to +80 °C

Weight 12 g



Revision	Description	By	Date
1-2019	Migrate to new format	WS	2019-06-21

Warranty: For a period of one (1) year from date of shipping under normal operations conditions This warranty does not apply to products damaged through misuse, abuse, improper installation, alteration, rework, or attempt to repair.