

CS34-01P70-03-1

Former P/N: CS34-01P75-03-1

 Rev. 6-2025
 RoHS3 & REACH
 IP67 Front Face Capable*
 Mobile Speakers

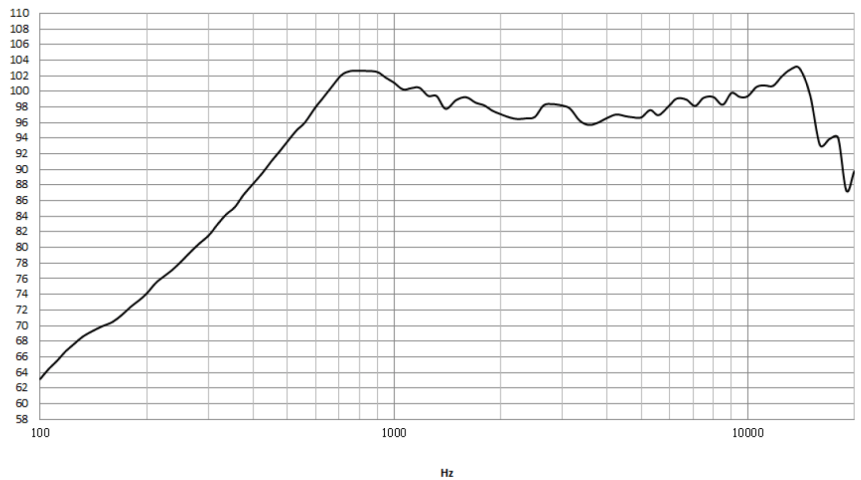

Operating Characteristics: 3CC Sealed Enclosure

ELECTRICAL

Rated Power	1.5 W
Short Term Max Power	2 W
Impedance	8 Ω ± 20 % 2,000 Hz; 1.5 W

ACOUSTIC

f_o	700 Hz ± 20 % 1.5 W; 10 cm
Freq. Range	560 to 20,000 Hz
Rated SPL	97 ± 3 dB 2,000 Hz; AVG; 1.5 W; 10 cm
Distortion	Max 10 % 1,000 Hz; 1.5 W



Physical Characteristics

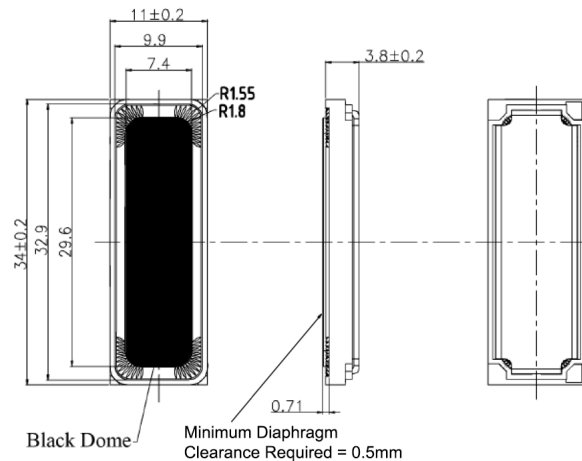
MATERIALS

Housing	PBT
Cone	PEEK
Magnet	NdFeB
Solder Pad	Stainless Steel, Tin Plated

TEMPERATURE RANGES

Operating	-30 to +70 °C
Storage	-40 to +85 °C

Weight 5 g



General tolerance = ±0.2 mm and all measurements in mm unless otherwise noted.

Revision	Description	By	Date
5-2024	Updated frequency range.	SK	2024-02-22
6-2025	Updated the operating temperature from -20~+70 °C to -30°C~+70°C.	KG	2025-10-16

Warranty: For a period of one (1) year from date of shipping under normal operations conditions. This warranty does not apply to products damaged through misuse, abuse, improper installation, alteration, rework, or attempt to repair.

The information contained herein is believed to be correct, but no guarantee or warranty, express or implied, with respect to accuracy, completeness or results is extended and no liability is assumed. Challenge Electronics reserves the right to make changes in any specification, data or material contained herein.

*IP rating can be achieved through proper assembly mounting. Please contact your local Challenge Electronics sales representative for more details.

©2025 Challenge Electronics, Inc. Pub. 20251017113307