

INDICATORS • SPEAKERS • SOUND TRANSDUCERS • ENCLOSURES • MICROPHONES • BATTERY ACCESSORIES

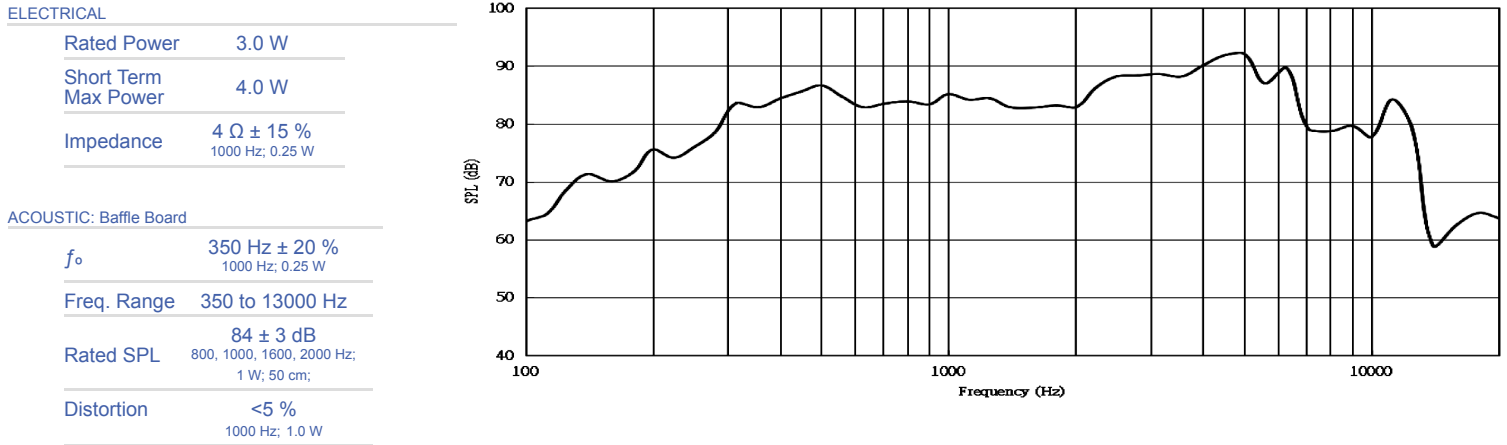
CS33-03D35-17-1

Former P/N: CS330-0335-171

Rev. 1-2019
RoHS3 & REACH
Round Speakers



Operating Characteristics



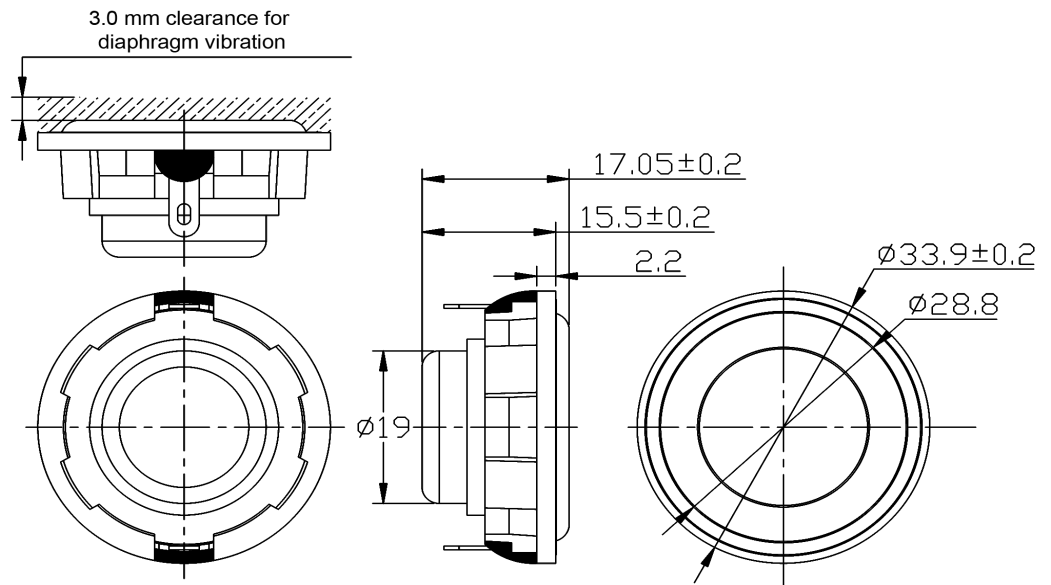
Physical Characteristics

MATERIALS	
Housing	ABS
Cone	Cloth + Paper
Magnet	NdFeB
Solder Tab	Copper

TEMPERATURE RANGES	
Operating	-20 to +60 °C
Storage	-30 to +70 °C

Weight	18 g
--------	------

Unless otherwise specified, tolerance: ±0.5(unit: mm)



Revision	Description	By	Date
0-2019	Initial Specification Sheet	JL	2019-02-25
1-2019	Migrate to new format.	CF	2019-06-24

Warranty: For a period of one (1) year from date of shipping under normal operations conditions This warranty does not apply to products damaged through misuse, abuse, improper installation, alteration, rework, or attempt to repair.