

CS32-02D25-14-1

Former P/N: CES320S145EA8PBR250T

Rev. 3-2019
RoHS3 & REACH
Square Speakers



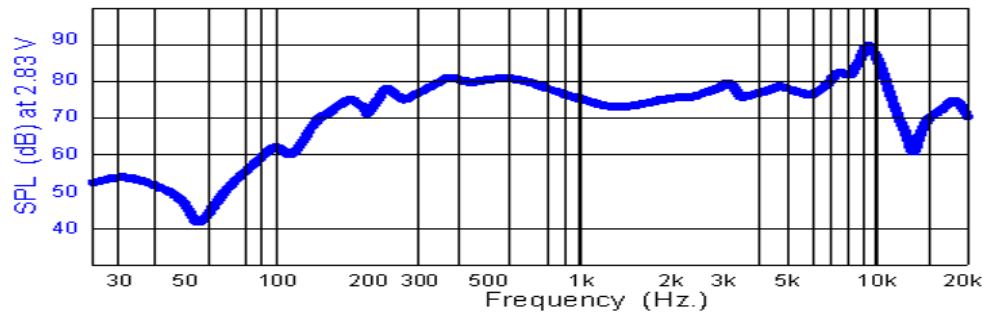
Operating Characteristics

ELECTRICAL

Rated Power	2 W
Short Term Max Power	4 W
Impedance	8 Ω ± 15 % 1000 Hz; 0.125 W

ACOUSTIC: Baffle Board

f_0	250 Hz ± 20 % 0.125 W
Freq. Range	250 to 20000 Hz
Rated SPL	80 ± 3 dB 400, 500, 600, 800 Hz; 1.0 W; 100 cm;
Distortion	<5 % 1000 Hz; 1 W



Physical Characteristics

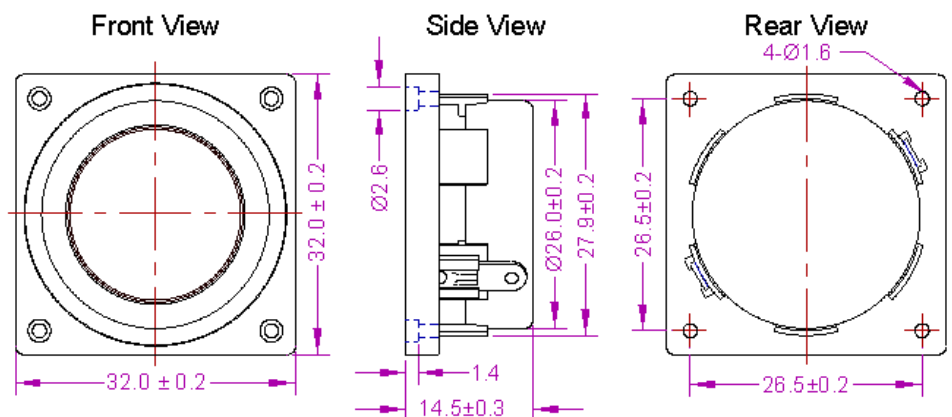
MATERIALS

Housing	Plastic
Cone	Mylar
Magnet	NdFeB
Solder Tab	Purple Bronze

TEMPERATURE RANGES

Operating	-25 to +60 °C
Storage	-40 to +70 °C

Weight 28 g



Revision	Description	By	Date
2-2013	Added product photo	WS	2013-07-25
3-2019	Migrate to new format	WS	2019-06-21

Warranty: For a period of one (1) year from date of shipping under normal operations conditions This warranty does not apply to products damaged through misuse, abuse, improper installation, alteration, rework, or attempt to repair.

The information contained herein is believed to be correct, but no guarantee or warranty, express or implied, with respect to accuracy, completeness or results is extended and no liability is assumed. Challenge Electronics reserves the right to make changes in any specification, data or material contained herein.