

INDICATORS • SPEAKERS • SOUND TRANSDUCERS • ENCLOSURES • MICROPHONES • BATTERY ACCESSORIES

CS31-01D55-15-1X

Former P/N: CS31D-0155-151

 Rev. 1-2019
 RoHS3 & REACH & IP67
 Round Speakers

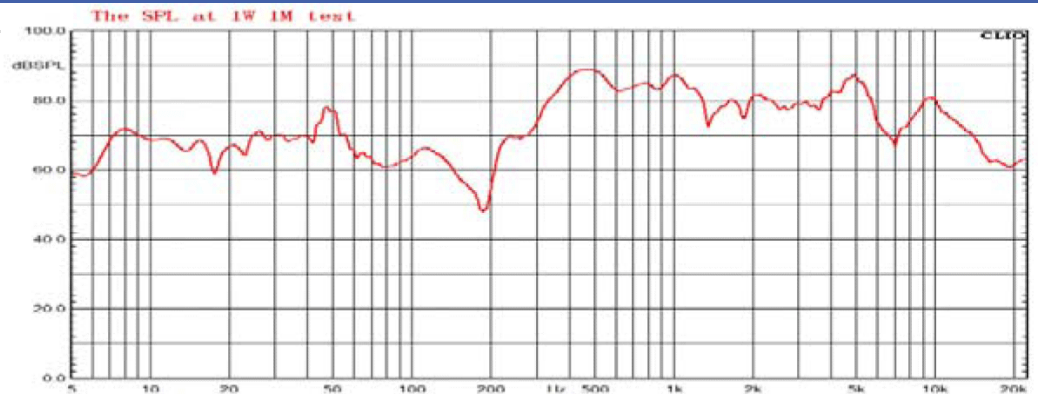

Operating Characteristics

ELECTRICAL

Rated Power	1.0 W
Short Term Max Power	2.0 W
Impedance	8 Ω \pm 15 % Hz: 0.125 W

ACOUSTIC: Baffle Board

f_0	550 Hz \pm 20 % 1 W
Freq. Range	550 to 20000 Hz
Rated SPL	85 \pm 3 dB 800, 1000, 1200, 1500 Hz; 1 W; 100 cm;
Distortion	<5 % 1000 Hz; 1.0 W



Physical Characteristics

MATERIALS

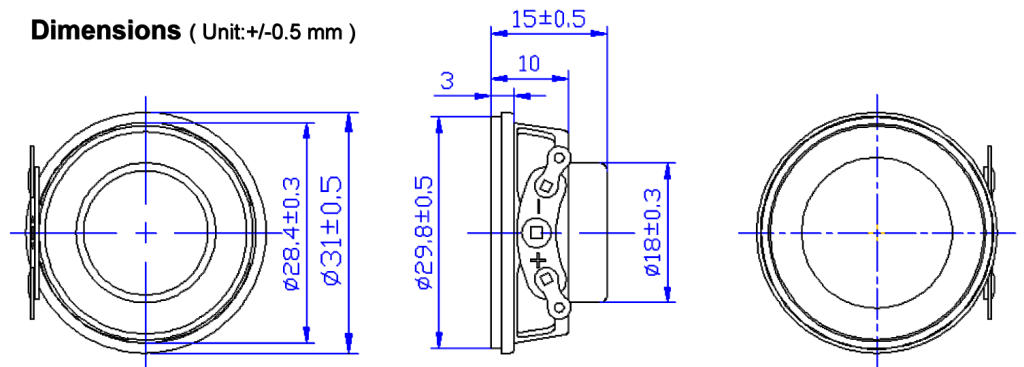
Housing	Steel, Zn Plated
Cone	Paper Cone with PU Edge
Magnet	NdFeB
Solder Tab	Tin Plated Brass

TEMPERATURE RANGES

Operating	-40 to +85 °C
Storage	-40 to +85 °C

Weight 12.6 g

Dimensions (Unit: +/-0.5 mm)



Revision	Description	By	Date
0-2019	Initial Specification Sheet	JL	2019-05-16
1-2019	Migrate to new format.	CF	2019-06-24

Warranty: For a period of one (1) year from date of shipping under normal operations conditions This warranty does not apply to products damaged through misuse, abuse, improper installation, alteration, rework, or attempt to repair.

The information contained herein is believed to be correct, but no guarantee or warranty, express or implied, with respect to accuracy, completeness or results is extended and no liability is assumed. Challenge Electronics reserves the right to make changes in any specification, data or material contained herein.

©2019 Challenge Electronics, Inc. 20190826155516