

CS28-01W75-06-1X

Rev. 2-2024
RoHS3 & REACH
IP67
Round Speakers



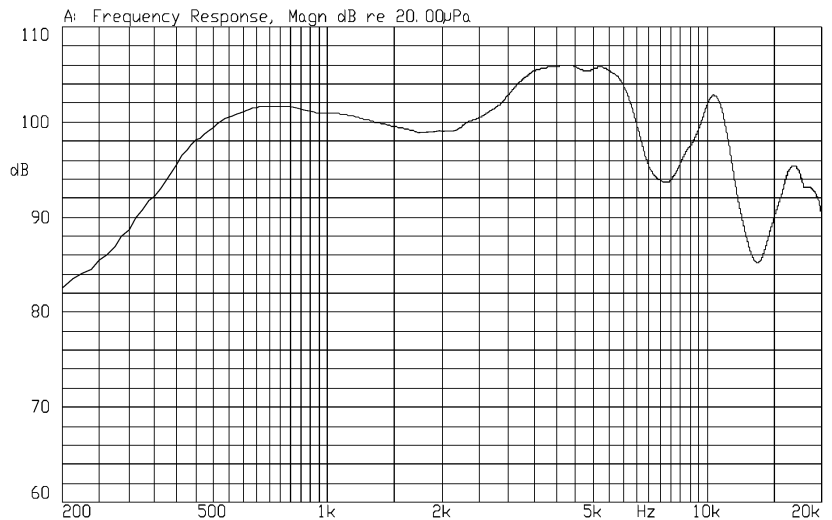
Operating Characteristics

ELECTRICAL

Rated Power	1.5 W
Short Term Max Power	2 W
Impedance	8 Ω ± 15 % 2000 Hz; 0.125 W

ACOUSTIC: Baffle Board

f_0	750 Hz ± 20 % 0.125 W
Freq. Range	600 to 7000 Hz
Rated SPL	101 ± 3 dB 800, 1000, 1200, 1500 Hz; AVG; 1 W; 10 cm
Distortion	Max 5 % 1000 Hz; 1 W



Mode: TSR



Physical Characteristics

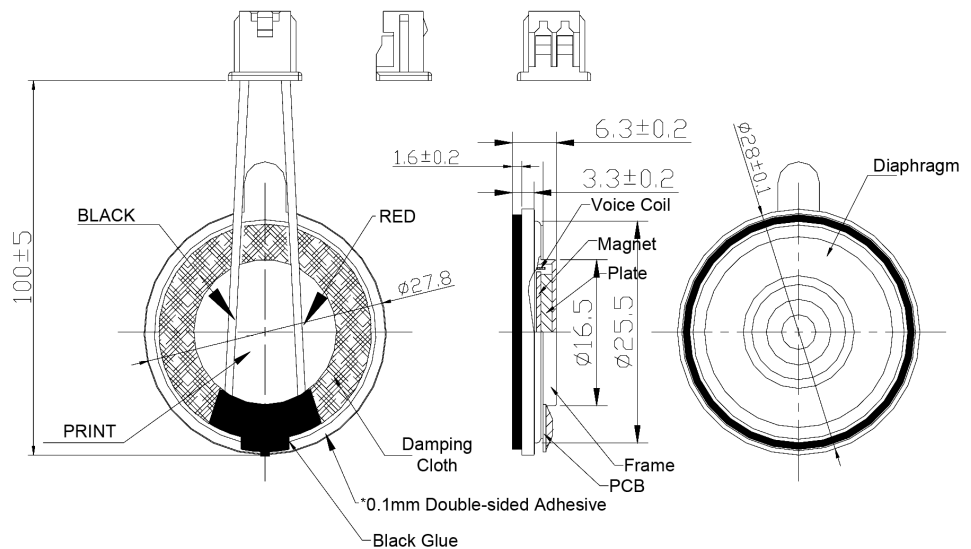
MATERIALS

Housing	Sealed Back SPCC
Cone	PEI
Magnet	NdFeB
Wires	UL1571, 28 AWG, Ø0.9 mm
Connector	Molex 51021-0200

TEMPERATURE RANGES

Operating	-40 to +85 °C
Storage	-40 to +85 °C

Weight 14.5 g



General tolerance = ±0.5 mm and all measurements in mm unless otherwise noted.

Revision	Description	By	Date
1-2023	Added warranty text about lifting.	AL	2023-02-09
2-2024	Updated frequency range.	SK	2024-02-22

Warranty: For a period of one (1) year from date of shipping under normal operations conditions. This warranty does not apply to products damaged through misuse, abuse, improper installation, alteration, rework, or attempt to repair.

The information contained herein is believed to be correct, but no guarantee or warranty, express or implied, with respect to accuracy, completeness or results is extended and no liability is assumed. Challenge Electronics reserves the right to make changes in any specification, data or material contained herein.