

INDICATORS • SPEAKERS • SOUND TRANSDUCERS • ENCLOSURES • MICROPHONES • BATTERY ACCESSORIES

## CS28-01W70-04-1

Former P/N: CES280R047BI04PMN700W45R

Rev. 3-2019  
RoHS3 & REACH  
Round Speakers



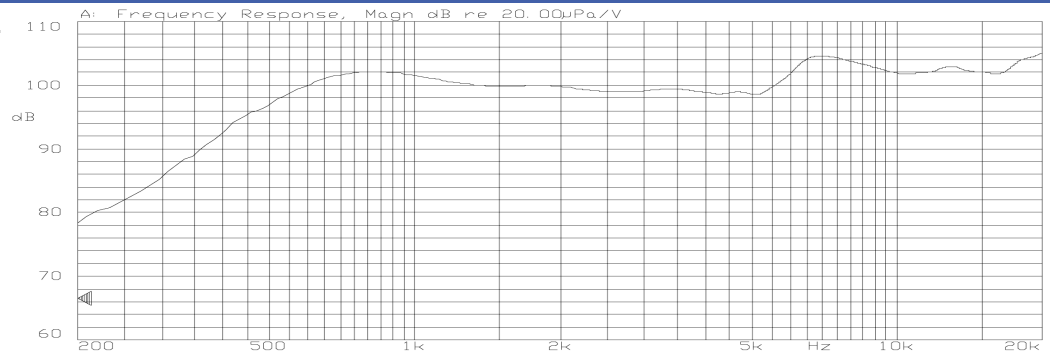
### Operating Characteristics

#### ELECTRICAL

Rated Power	1.0 W
Short Term Max Power	1.8 W
Impedance	4 Ω ± 15 % 1500 Hz; 0.25 W

#### ACOUSTIC: Baffle Board

$f_0$	700 Hz ± 20 % 0.25 W
Freq. Range	700 to 10000 Hz
Rated SPL	102 ± 3 dB 800, 1000, 1200, 1500 Hz; 1 W; 10 cm;
Distortion	<15 % 700 - 6000 Hz; 0.25 W



### Physical Characteristics

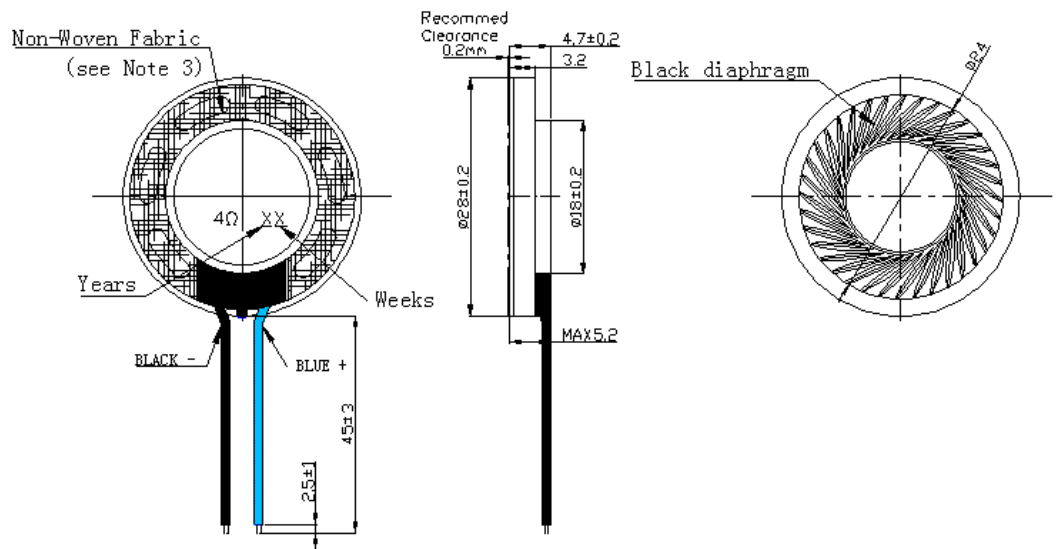
#### MATERIALS

Housing	Plastic
Cone	Mylar
Magnet	NdFeB
Wire	UL 1061, 26 AWG

#### TEMPERATURE RANGES

Operating	-20 to +70 °C
Storage	-40 to +85 °C

Weight	8 g
--------	-----



Revision	Description	By	Date
2-2018	Updated assembly details.	JL	2018-05-21
3-2019	Migrate to new format	JL	2019-06-21

Warranty: For a period of one (1) year from date of shipping under normal operations conditions This warranty does not apply to products damaged through misuse, abuse, improper installation, alteration, rework, or attempt to repair.

The information contained herein is believed to be correct, but no guarantee or warranty, express or implied, with respect to accuracy, completeness or results is extended and no liability is assumed. Challenge Electronics reserves the right to make changes in any specification, data or material contained herein.