

INDICATORS • SPEAKERS • SOUND TRANSDUCERS • ENCLOSURES • MICROPHONES • BATTERY ACCESSORIES

## CS28-00W65-05-1

Former P/N: CES280R054BA08SMN650W10R

Rev. 1-2019  
RoHS3 & REACH  
Round Speakers



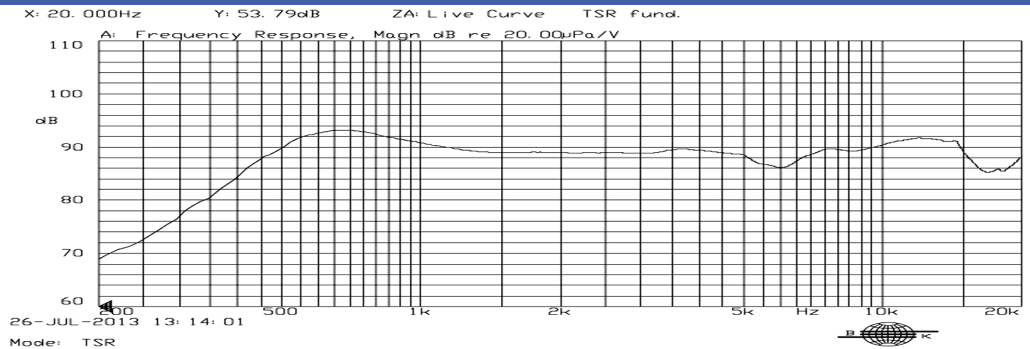
### Operating Characteristics

#### ELECTRICAL

Rated Power	0.5 W
Short Term Max Power	1.0 W
Impedance	8 Ω ± 15 % 2000 Hz; 0.125 W

#### ACOUSTIC: Baffle Board

$f_0$	650 Hz ± 20 % 0.125 W
Freq. Range	650 to 6000 Hz
Rated SPL	90 ± 3 dB 600, 800, 1000, 1200 Hz; 0.1 W; 10 cm;
Distortion	<5 % 1000 Hz; 0.1 W



### Physical Characteristics

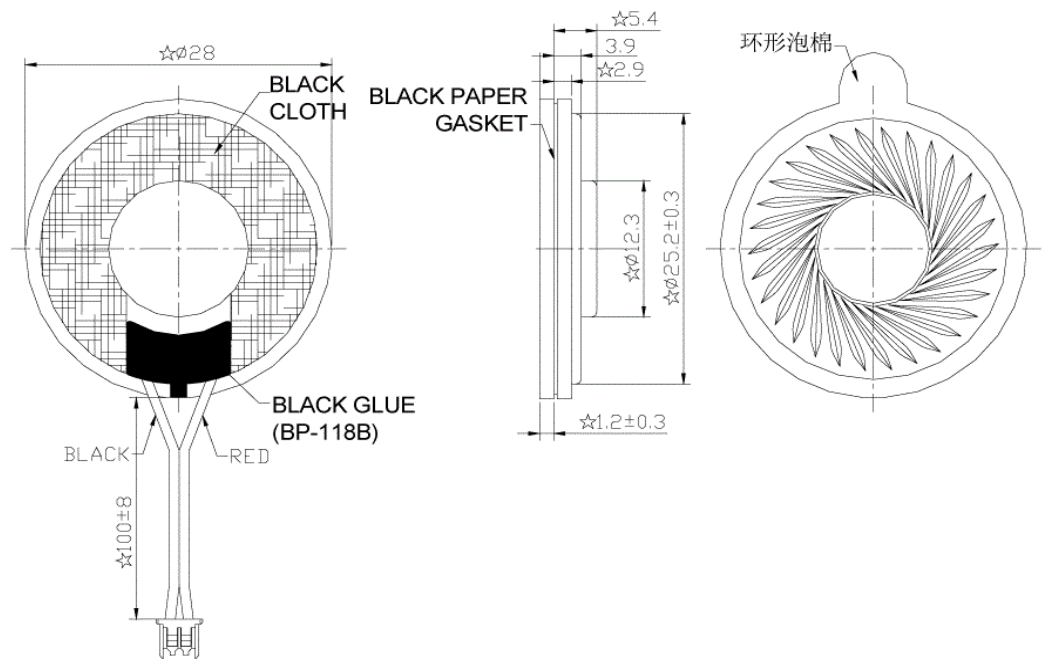
#### MATERIALS

Housing	Steel
Cone	PEI Clear Plastic
Magnet	NdFeB
Wire	UL 1571, 28 AWG
Connector	DF13-2S-1.25 or Equivalent

#### TEMPERATURE RANGES

Operating	-20 to +70 °C
Storage	-40 to +85 °C

Weight 6.0 g



Revision	Description	By	Date
1-2019	Migrate to new format	WS	2019-06-21

Warranty: For a period of one (1) year from date of shipping under normal operations conditions This warranty does not apply to products damaged through misuse, abuse, improper installation, alteration, rework, or attempt to repair.