

CS25-02S65-06-1X

Rev. 0-2025
RoHS3 & REACH
IPX7 Front Face
Surface Mount Speakers



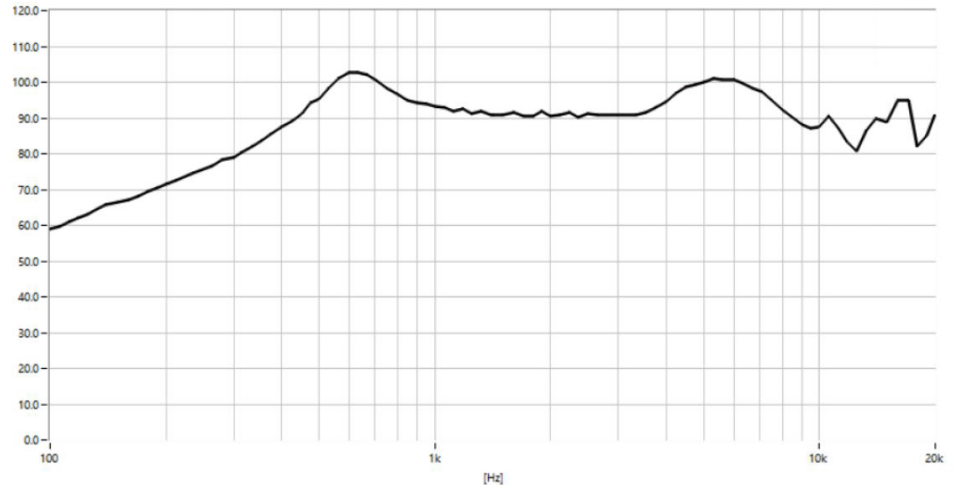
Operating Characteristics

ELECTRICAL

Rated Power	2 W
Short Term Max Power	2.5 W
Impedance	4 Ω ± 15 % 2,000 Hz; 0.25 W

ACOUSTIC: Baffle Board

f_o	650 Hz ± 20 % 1 W
Freq. Range	520 to 20,000 Hz
Rated SPL	90 ± 3 dB 1,000, 1,600, 2,000, 3,200 Hz; AVG; 1 W; 10 cm
Distortion	<10 % 2,000 Hz; 1 W



Physical Characteristics

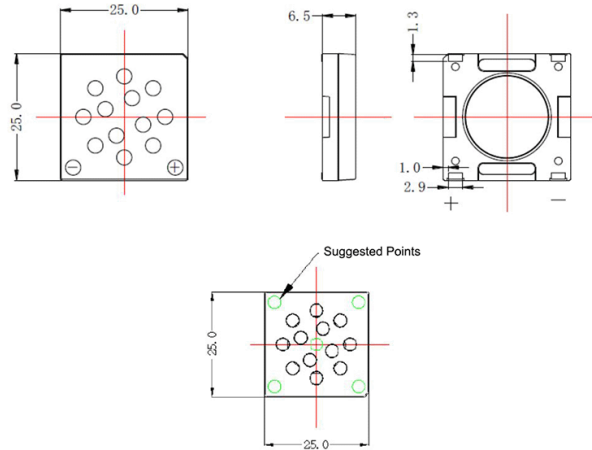
MATERIALS

Housing	LCP
Cone	PI
Magnet	SMCO
Solder Pad	Tin-Plated Copper

TEMPERATURE RANGES

Operating	-40 to +105 °C
Storage	-40 to +105 °C

Weight	5.4 g
--------	-------



General tolerance = ±0.3 mm and all measurements in mm unless otherwise noted.

Revision	Description	By	Date
0-2025	Original Specification	KG	2025-08-01

Warranty: For a period of one (1) year from date of shipping under normal operations conditions. This warranty does not apply to products damaged through misuse, abuse, improper installation, alteration, rework, or attempt to repair.

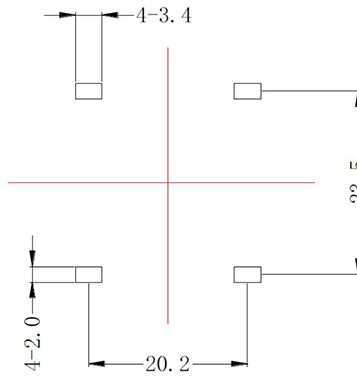
The information contained herein is believed to be correct, but no guarantee or warranty, express or implied, with respect to accuracy, completeness or results is extended and no liability is assumed. Challenge Electronics reserves the right to make changes in any specification, data or material contained herein.

CS25-02S65-06-1X

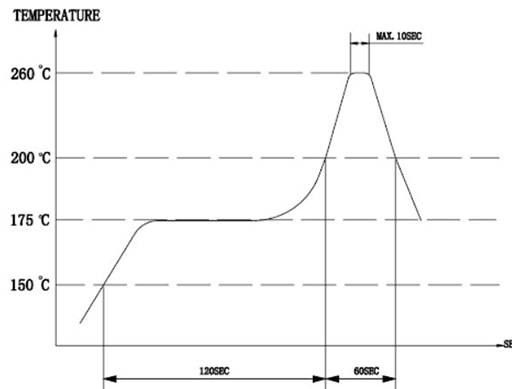
Rev. 0-2025
RoHS3 & REACH
IPX7 Front Face
Surface Mount Speakers



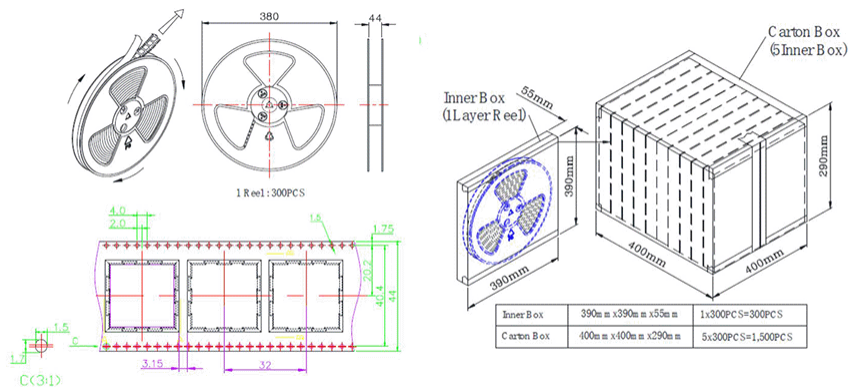
Recommended Footprint



Recommended Reflow Profile



Tape & Reel Packaging



Revision	Description	By	Date
0-2025	Original Specification	KG	2025-08-01

Warranty: For a period of one (1) year from date of shipping under normal operations conditions. This warranty does not apply to products damaged through misuse, abuse, improper installation, alteration, rework, or attempt to repair.

The information contained herein is believed to be correct, but no guarantee or warranty, express or implied, with respect to accuracy, completeness or results is extended and no liability is assumed. Challenge Electronics reserves the right to make changes in any specification, data or material contained herein.