

INDICATORS • SPEAKERS • SOUND TRANSDUCERS • ENCLOSURES • MICROPHONES • BATTERY ACCESSORIES

CS25-01P75-05-1

Former P/N: CES250V050BD08PCN750UR

Rev. 1-2019
RoHS3 & REACH
Oval Speakers



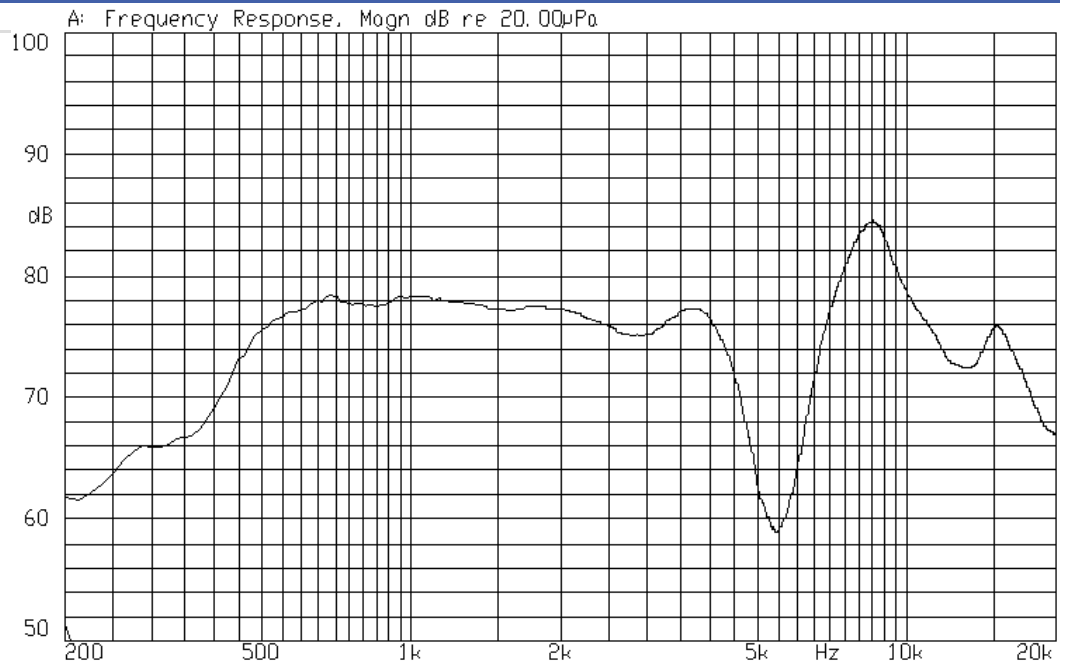
Operating Characteristics

ELECTRICAL

Rated Power	1.0 W
Short Term Max Power	1.3 W
Impedance	8 Ω ± 20 % 1000 Hz; 0.125 W

ACOUSTIC: Baffle Board

f_0	750 Hz ± 20 % 0.125 W
Freq. Range	750 to 20000 Hz
Rated SPL	76 ± 3 dB 1000, 1200, 1500, 2000 Hz; 1.0 W; 100 cm;
Distortion	<5 % 1000 Hz; 0.125 W



Physical Characteristics

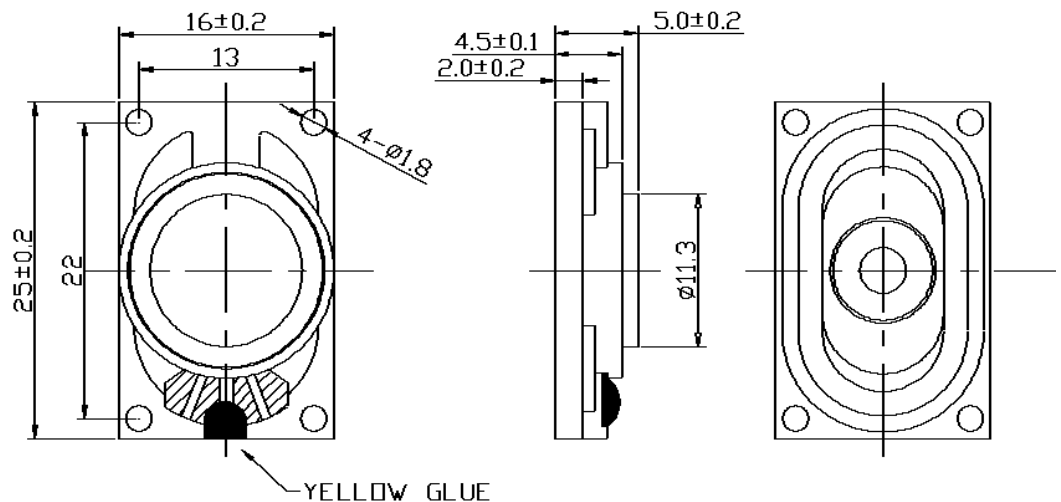
MATERIALS

Housing	Plastic
Cone	Cloth
Magnet	NdFeB
Solder Pad	Tin Plated Copper

TEMPERATURE RANGES

Operating	-40 to +85 °C
Storage	-40 to +85 °C

Weight 5 g



Revision	Description	By	Date
1-2019	Migrate to new format	WS	2019-06-21

Warranty: For a period of one (1) year from date of shipping under normal operations conditions This warranty does not apply to products damaged through misuse, abuse, improper installation, alteration, rework, or attempt to repair.