

INDICATORS • SPEAKERS • SOUND TRANSDUCERS • ENCLOSURES • MICROPHONES • BATTERY ACCESSORIES

## CS25-00P90-04-1

Former P/N: CES250V048BA08PCN900UR

Rev. 3-2019  
RoHS3 & REACH  
Oval Speakers



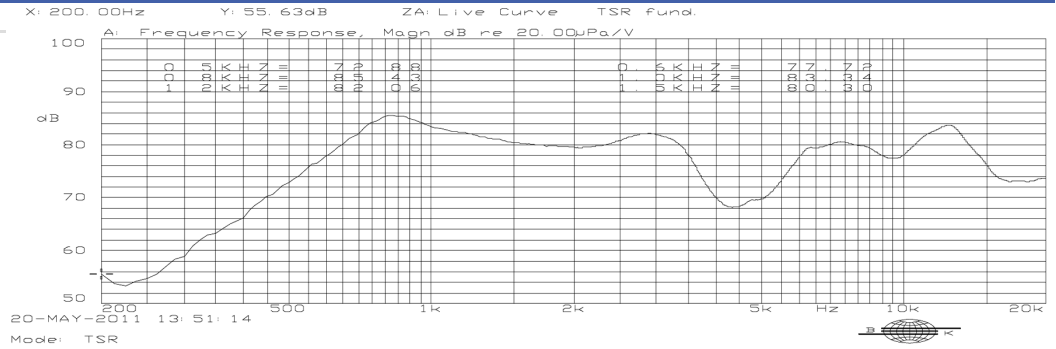
### Operating Characteristics

#### ELECTRICAL

|                      |                                   |
|----------------------|-----------------------------------|
| Rated Power          | 0.5 W                             |
| Short Term Max Power | 1.0 W                             |
| Impedance            | 8 Ω ± 15 %<br>1000 Hz Hz; 0.125 W |

#### ACOUSTIC: Baffle Board

|             |  |
|-------------|--|
| $f_0$       | 900 Hz ± 20 %<br>0.125 W                               |
| Freq. Range | 900 to 13000 Hz  |
| Rated SPL   | 82 ± 3 dB<br>600, 800, 1000, 1200 Hz;<br>1.0 W; 50 cm; |
| Distortion  | 5 %<br>1000 Hz; 0.125 W                                |



### Physical Characteristics

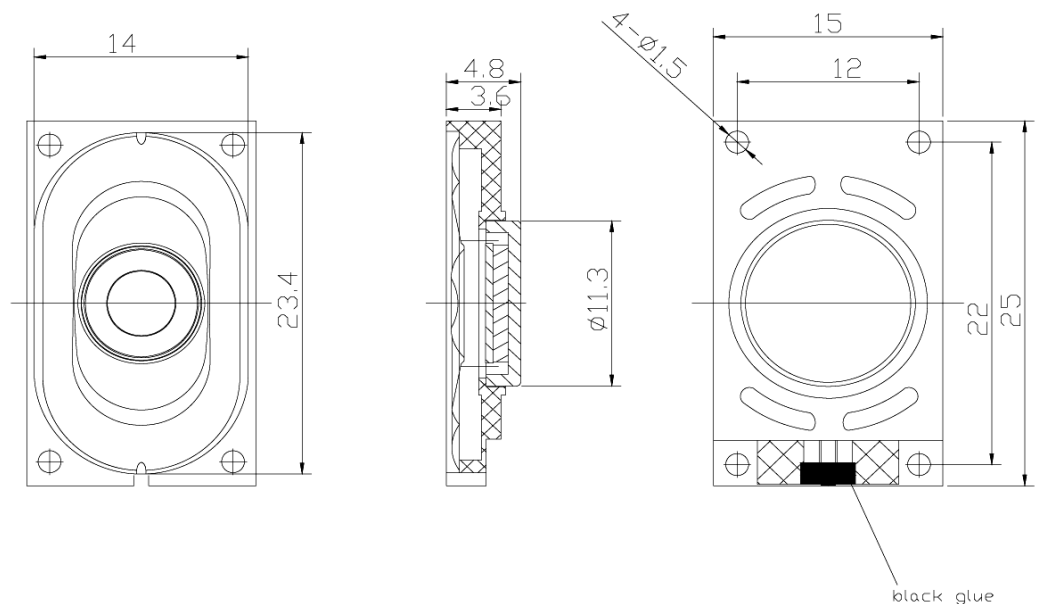
#### MATERIALS

|            |                   |
|------------|-------------------|
| Housing    | Plastic           |
| Cone       | Cloth             |
| Magnet     | NdFeB             |
| Solder Pad | Tin Plated Copper |

#### TEMPERATURE RANGES

|           |               |
|-----------|---------------|
| Operating | -20 to +60 °C |
| Storage   | -30 to +70 °C |

Weight 5 g



| Revision | Description           | By | Date       |
|----------|-----------------------|----|------------|
| 3-2019   | Migrate to new format | WS | 2019-06-21 |

Warranty: For a period of one (1) year from date of shipping under normal operations conditions This warranty does not apply to products damaged through misuse, abuse, improper installation, alteration, rework, or attempt to repair.