

CS20-01P60-02-1

Rev. 0-2021
 RoHS3 & REACH
 Mobile Speakers



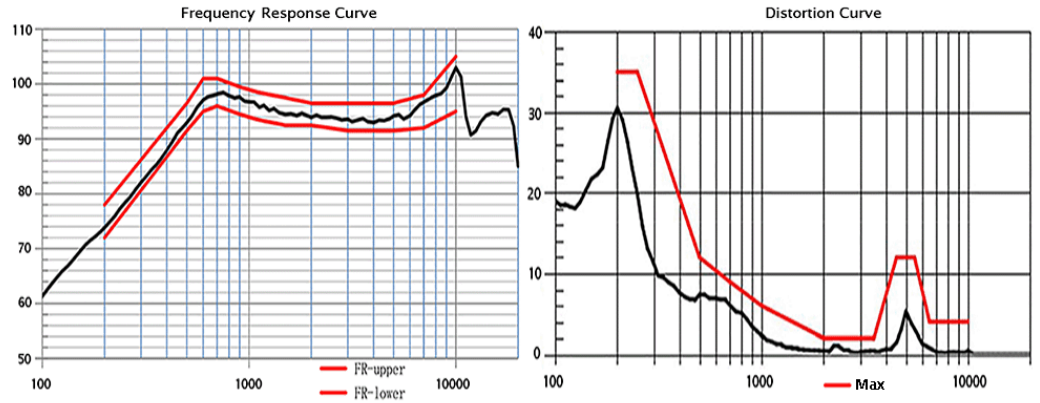
Operating Characteristics

ELECTRICAL

Rated Power	1 W
Short Term Max Power	1.5 W
Impedance	8 Ω ± 20 % 2000 Hz; 1 W

ACOUSTIC: 2.5cc Sealed Enclosure

f_0	600 Hz ± 20 % 1 W
Freq. Range	600 to 20000 Hz
Rated SPL	94.5 ± 3 dB 2000 Hz; 1 W; 10 cm;
Distortion	See Chart % Hz;



Physical Characteristics

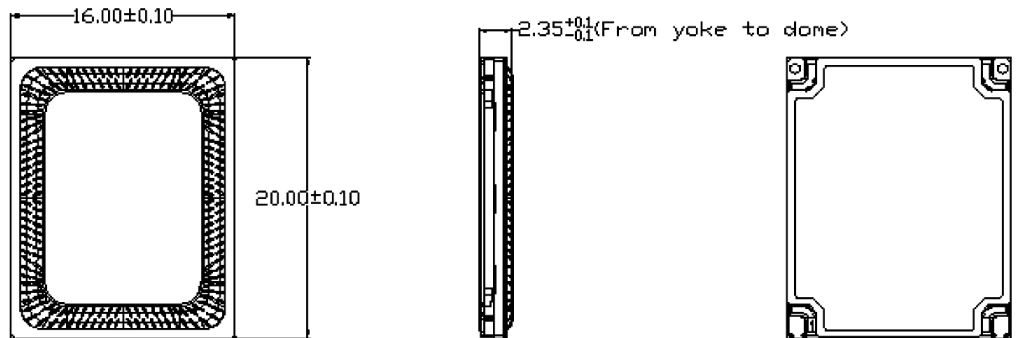
MATERIALS

Housing	Plastic
Cone	TPEE
Magnet	NdFeB
Solder Pads	Tin Plated Stainless Steel

TEMPERATURE RANGES

Operating	-20 to +60 °C
Storage	-40 to +85 °C

Weight	3 g
--------	-----



Unless otherwise specified, Tolerance: ±0.15mm

All Measurements are mm unless noted otherwise.

Revision	Description	By	Date
0-2021	Original Specification	CT	2021-08-03

Warranty: For a period of one (1) year from date of shipping under normal operations conditions. This warranty does not apply to products damaged through misuse, abuse, improper installation, alteration, rework, or attempt to repair.

The information contained herein is believed to be correct, but no guarantee or warranty, express or implied, with respect to accuracy, completeness or results is extended and no liability is assumed. Challenge Electronics reserves the right to make changes in any specification, data or material contained herein.
 ©2021 Challenge Electronics, Inc. Pub. 20210803162351