

# CS20-01P60-02-1

 Rev. 1-2022  
 RoHS3 & REACH  
 Mobile Speakers

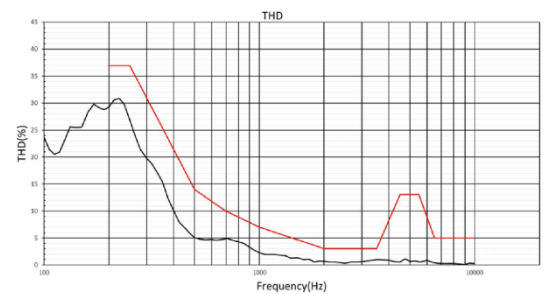
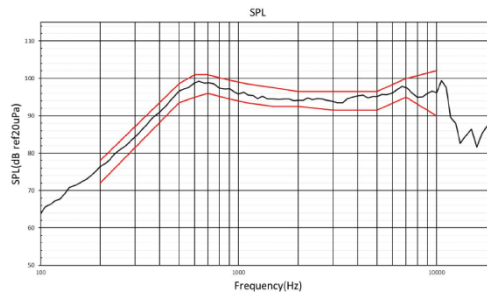

## Operating Characteristics

### ELECTRICAL

Rated Power	1 W
Short Term Max Power	1.5 W
Impedance	8 Ω ± 20 % 2000 Hz; 1 W

### ACOUSTIC: 2.5cc Sealed Enclosure

$f_o$	600 Hz ± 20 % 1 W
Freq. Range	600 to 20000 Hz
Rated SPL	94.5 ± 3 dB 2000 Hz; 1 W; 10 cm;
Distortion	See Chart % Hz;



## Physical Characteristics

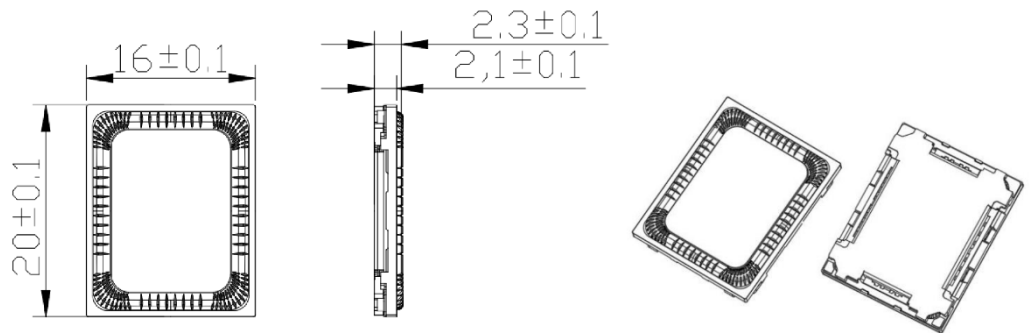
### MATERIALS

Housing	Plastic
Cone	TPEE
Magnet	NdFeB
Solder Pads	Tin Plated Stainless Steel

### TEMPERATURE RANGES

Operating	-20 to +60 °C
Storage	-40 to +85 °C

Weight	3 g
--------	-----



General tolerance = ±0.15 mm and all measurements in mm unless otherwise noted.

Revision	Description	By	Date
0-2021	Original Specification	CT	2021-08-03
1-2022	Height change from 2.35 to 2.3 mm. Updated frequency response and distortion curves.	AL	2022-08-10

Warranty: For a period of one (1) year from date of shipping under normal operations conditions. This warranty does not apply to products damaged through misuse, abuse, improper installation, alteration, rework, or attempt to repair.

The information contained herein is believed to be correct, but no guarantee or warranty, express or implied, with respect to accuracy, completeness or results is extended and no liability is assumed. Challenge Electronics reserves the right to make changes in any specification, data or material contained herein.