

INDICATORS • SPEAKERS • SOUND TRANSDUCERS • ENCLOSURES • MICROPHONES • BATTERY ACCESSORIES

CS18-01P85-02-1

Former P/N: CS18P-0185-021

 Rev. 1-2019
 RoHS3 & REACH
 Mobile Speakers

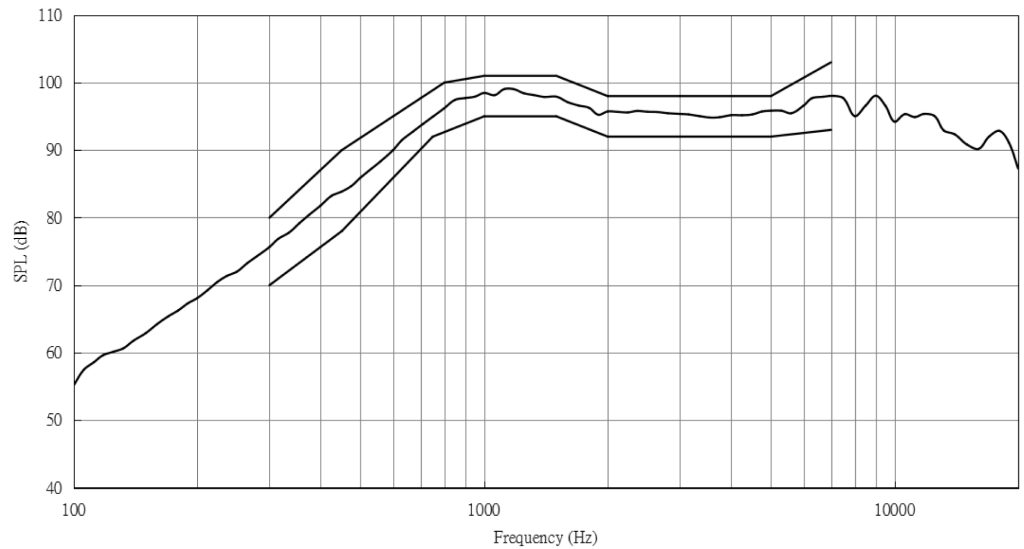

Operating Characteristics

ELECTRICAL

Rated Power	1.0 W
Short Term Max Power	1.2 W
Impedance	8 Ω \pm 15 % 2000 Hz; 1 W

ACOUSTIC: 1CC Sealed Enclosure

f_o	850 Hz \pm 20 % 0.125 W
Freq. Range	850 to 10000 Hz
Rated SPL	96 \pm 3 dB 2000 Hz; 1 W; 10 cm;
Distortion	<10 % 1000 Hz; 1 W



Physical Characteristics

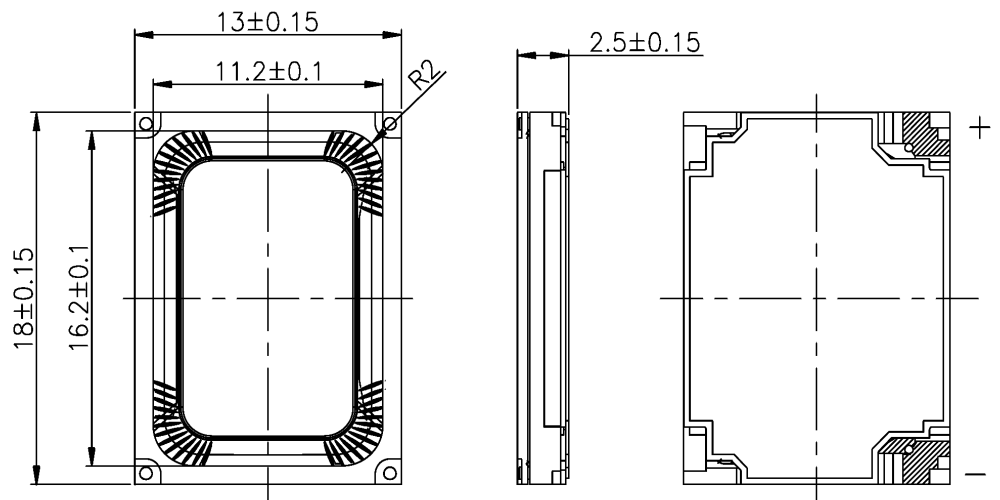
MATERIALS

Housing	PPA
Cone	PEEK
Magnet	NdFeB
Solder Pad	Stainless Steel, Tin Plated

TEMPERATURE RANGES

Operating	-20 to +70 °C
Storage	-40 to +85 °C

Weight 2.2 g



Revision	Description	By	Date
0-2019	Initial Specification Sheet	JL	2019-05-16
1-2019	Migrate to new format	JL	2019-09-09

Warranty: For a period of one (1) year from date of shipping under normal operations conditions This warranty does not apply to products damaged through misuse, abuse, improper installation, alteration, rework, or attempt to repair.

The information contained herein is believed to be correct, but no guarantee or warranty, express or implied, with respect to accuracy, completeness or results is extended and no liability is assumed. Challenge Electronics reserves the right to make changes in any specification, data or material contained herein.

©2019 Challenge Electronics, Inc. 20190909120855