

CS18-01P95-04-1

 Rev. 0-2022
 RoHS3 & REACH
 Mobile Speakers

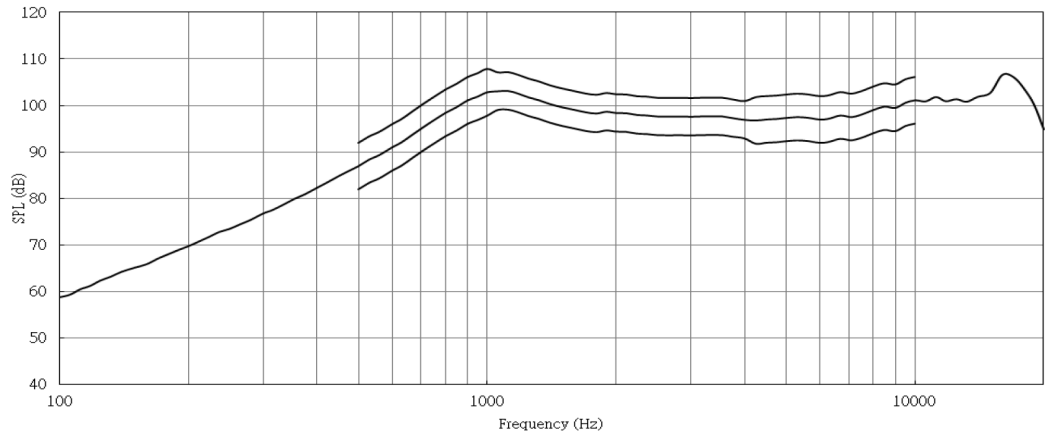

Operating Characteristics

ELECTRICAL

Rated Power	1 W
Short Term Max Power	1.2 W
Impedance	8 Ω ± 15 % 2000 Hz; 1 W

ACOUSTIC: 1cc Sealed Enclosure

f_o	950 Hz ± 20 % 1 W
Freq. Range	950 to 20000 Hz
Rated SPL	100 ± 3 dB 800, 1000, 1500, 2000 Hz; 1 W; 10 cm;
Distortion	Max 5 % 800-8000 Hz; 1 W



Physical Characteristics

MATERIALS

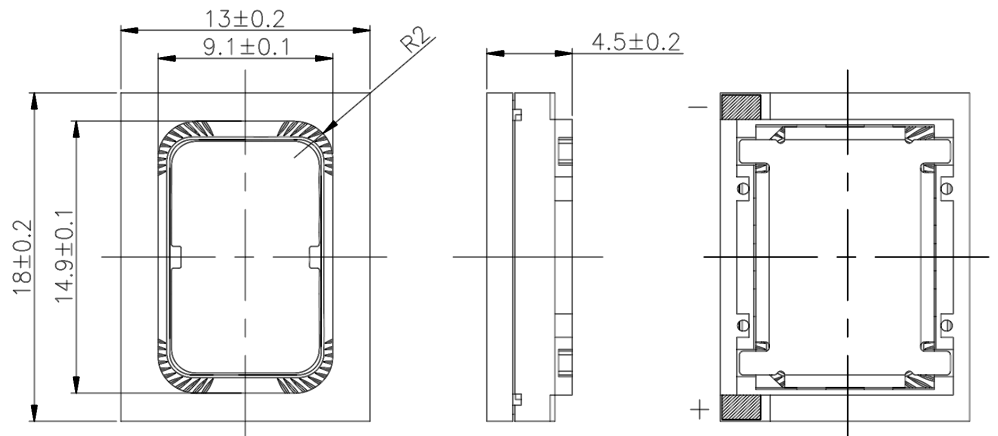
Housing	Plastic
Cone	PEEK
Magnet	NdFeB
Solder Pads	Tin Plated Stainless Steel

TEMPERATURE RANGES

Operating	-20 to +70 °C
Storage	-40 to +85 °C

Weight 2.8 g

General Tolerance: ±0.2mm



All Measurements are mm unless noted otherwise.

Revision	Description	By	Date
0-2022	Original Specification	CT	2022-01-04

Warranty: For a period of one (1) year from date of shipping under normal operations conditions. This warranty does not apply to products damaged through misuse, abuse, improper installation, alteration, rework, or attempt to repair.

The information contained herein is believed to be correct, but no guarantee or warranty, express or implied, with respect to accuracy, completeness or results is extended and no liability is assumed. Challenge Electronics reserves the right to make changes in any specification, data or material contained herein.

©2022 Challenge Electronics, Inc. Pub. 20220104151057