

INDICATORS • SPEAKERS • SOUND TRANSDUCERS • ENCLOSURES • MICROPHONES • BATTERY ACCESSORIES

CS18-01D85-05-1

Former P/N: CES180R055CA08PMN850TR

Rev. 2-2019
RoHS3 & REACH
Round Speakers



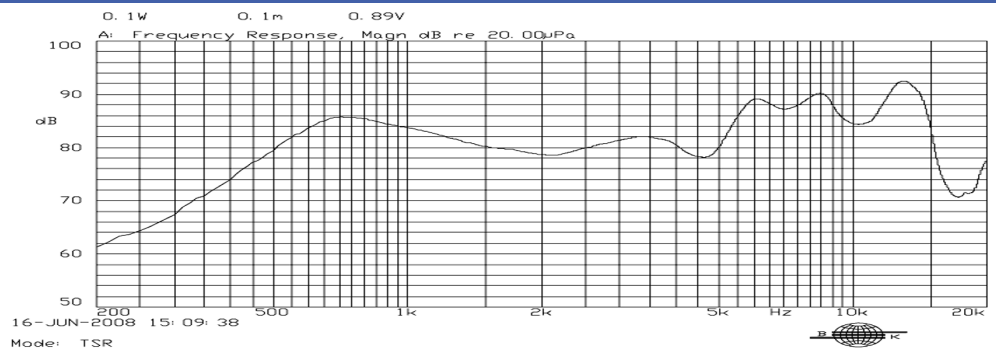
Operating Characteristics

ELECTRICAL

Rated Power	1.0 W
Short Term Max Power	2.0 W
Impedance	8 Ω ± 15 % 1000 Hz; 0.125 W

ACOUSTIC: Baffle Board

f_0	850 Hz ± 20 % 0.125 W
Freq. Range	850 to 20000 Hz
Rated SPL	87 ± 3 dB 800, 1000, 1200, 1500 Hz; 0.1 W; 10 cm;
Distortion	<5 % 1000 Hz; 0.125 W



Physical Characteristics

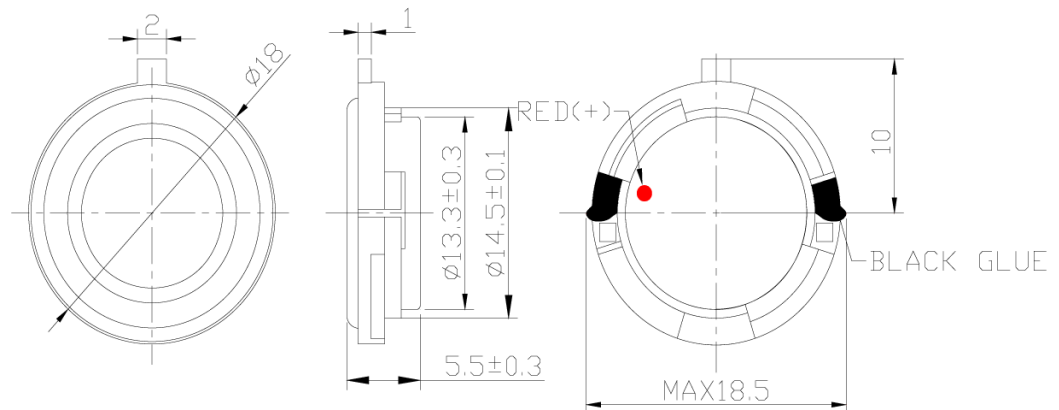
MATERIALS

Housing	LCP
Cone	PU Edge + PI Cap
Magnet	NdFeB
Solder Tab	Tin Plated Copper

TEMPERATURE RANGES

Operating	-20 to +60 °C
Storage	-20 to +60 °C

Weight 3 g



Revision	Description	By	Date
1-2016	Changed weight from 8g to 3g. Added magnet dimensions.	WS	2016-11-28
2-2019	Migrate to new format	WS	2019-06-21

Warranty: For a period of one (1) year from date of shipping under normal operations conditions This warranty does not apply to products damaged through misuse, abuse, improper installation, alteration, rework, or attempt to repair.

The information contained herein is believed to be correct, but no guarantee or warranty, express or implied, with respect to accuracy, completeness or results is extended and no liability is assumed. Challenge Electronics reserves the right to make changes in any specification, data or material contained herein.