

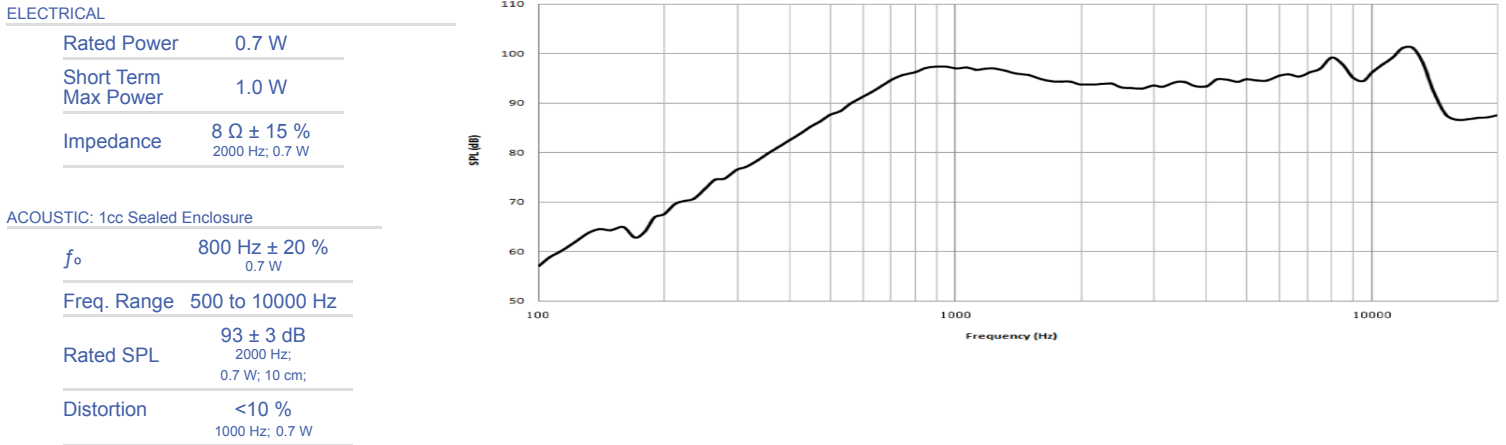
## CS18-00R80-02-1X

Former P/N: CES180V025BA08PM3N800SR

Rev. 6-2020  
RoHS3 & REACH & IPX7  
Mobile Speakers



### Operating Characteristics



### Physical Characteristics

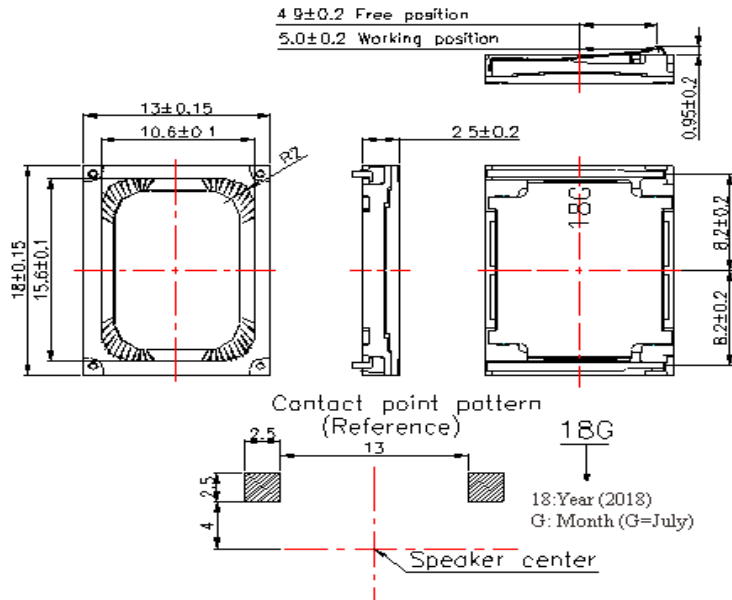
MATERIALS	
Housing	Plastic
Cone	PEEK
Magnet	3x NdFeB
Spring	Stainless Steel
Glue	8008XL Silicone

TEMPERATURE RANGES	
Operating	-20 to +70 °C
Storage	-40 to +85 °C

Weight	1.8 g
--------	-------



Revision	Description	By	Date
5-2019	Updated glue material to 8008XL Silicone. Corrected diaphragm material from Mylar to PEEK	SP	2019-12-02
6-2020	Added magnet quantity to materials section.	JL	2020-04-02

Warranty: For a period of one (1) year from date of shipping under normal operations conditions This warranty does not apply to products damaged through misuse, abuse, improper installation, alteration, rework, or attempt to repair.