

INDICATORS • SPEAKERS • SOUND TRANSDUCERS • ENCLOSURES • MICROPHONES • BATTERY ACCESSORIES

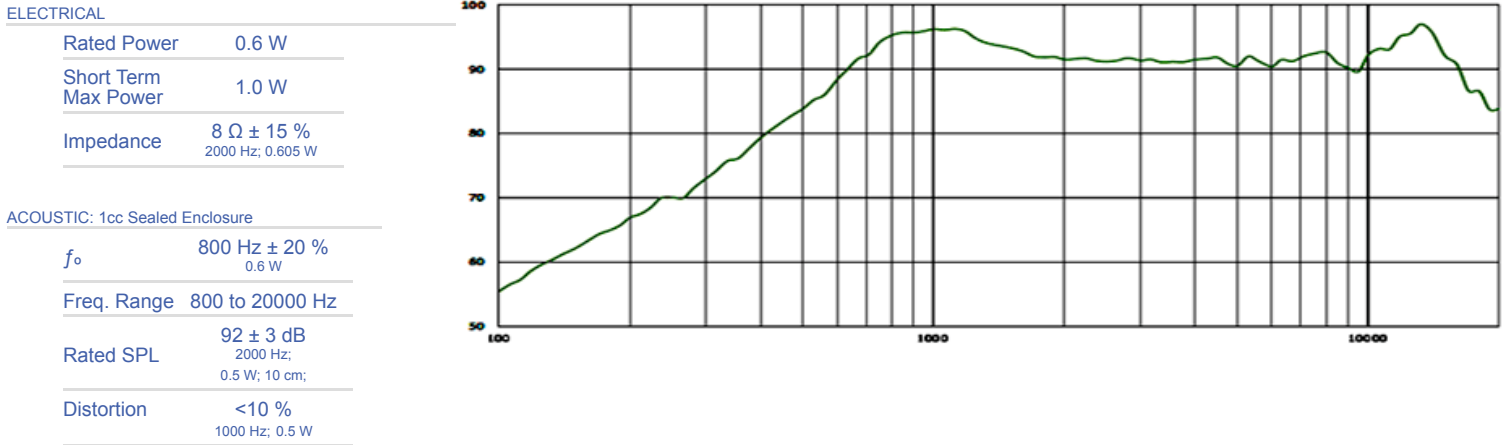
CS17-00P80-02-1

Former P/N: CES170V023BA08PM5N800UR

Rev. 2-2020
 RoHS3 & REACH
 Mobile Speakers



Operating Characteristics

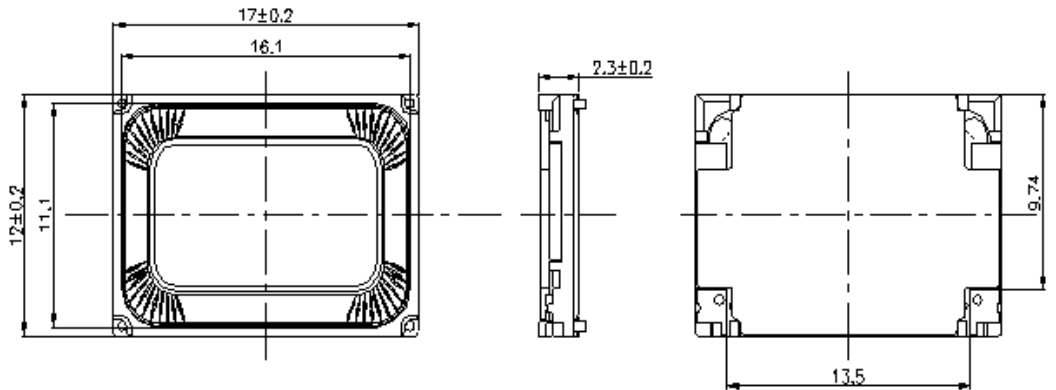


Physical Characteristics

MATERIALS	
Housing	Plastic
Cone	Mylar
Magnet	5x NdFeB
Solder Pad	Tin Plated SUS

TEMPERATURE RANGES	
Operating	-20 to +70 °C
Storage	-40 to +80 °C

Weight	1.5 g
--------	-------



Revision	Description	By	Date
1-2019	Migrate to new format	JL	2019-06-21
2-2020	Added magnet quantity to materials section.	JL	2020-04-02

Warranty: For a period of one (1) year from date of shipping under normal operations conditions This warranty does not apply to products damaged through misuse, abuse, improper installation, alteration, rework, or attempt to repair.

The information contained herein is believed to be correct, but no guarantee or warranty, express or implied, with respect to accuracy, completeness or results is extended and no liability is assumed. Challenge Electronics reserves the right to make changes in any specification, data or material contained herein.