

## CS16-00P85-03-4

Former P/N: CS160-0085-031

Rev. 1-2019  
RoHS3 & REACH  
Mobile Speakers



### Operating Characteristics

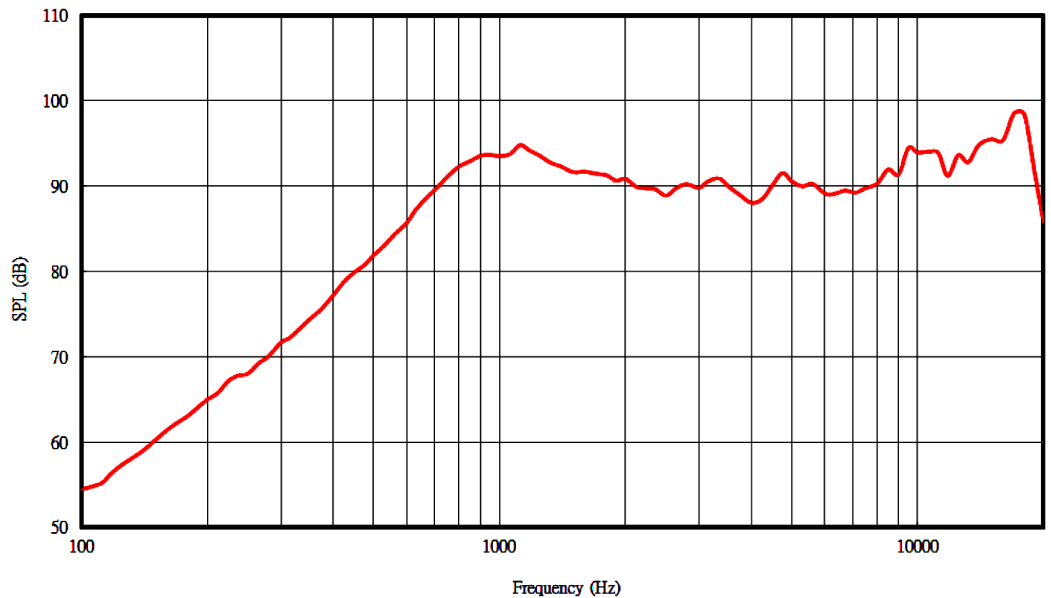
#### ELECTRICAL

Rated Power	0.94 W
Short Term Max Power	1.2 W
Impedance	6 Ω ± 20 % 2000 Hz; 0.94 W

#### ACOUSTIC: 1cc Sealed Enclosure

$f_0$	850 Hz ± 20 % 0.94 W
Freq. Range	850 to 10000 Hz
Rated SPL	91 ± 3 dB 2000 Hz; 0.94 W; 10 cm;
Distortion	<10 % 1000 Hz; .94 W

#### 2. 37Vrms/10cm/in 1cc box



### Physical Characteristics

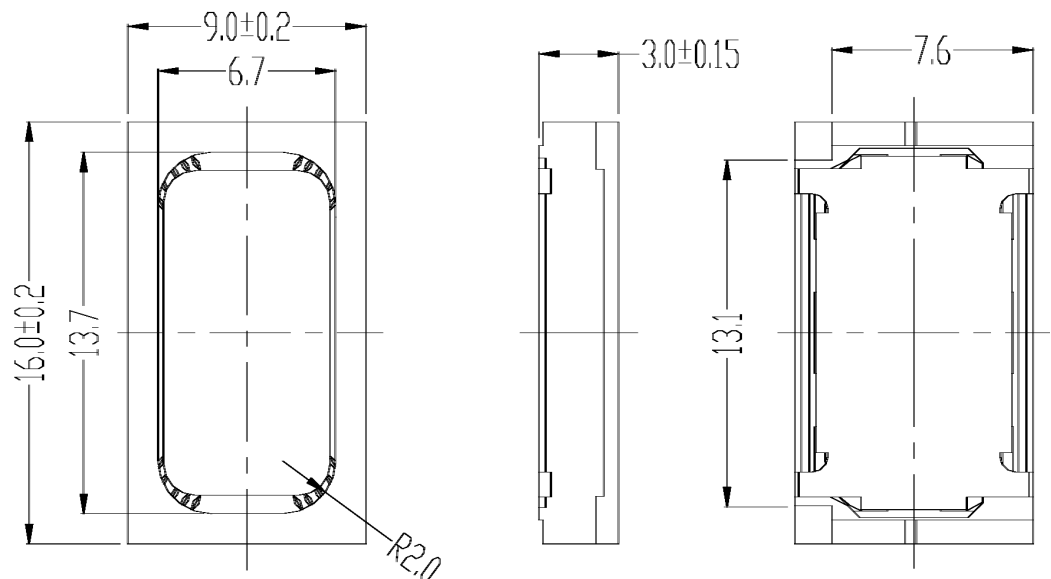
#### MATERIALS

Housing	Plastic
Cone	Mylar
Magnet	NdFeB
Solder Pad	Stainless Steel

#### TEMPERATURE RANGES

Operating	-20 to +60 °C
Storage	-40 to +70 °C

Weight 1.2 g



Revision	Description	By	Date
1-2019	Migrate to new format	WS	2019-06-21

Warranty: For a period of one (1) year from date of shipping under normal operations conditions This warranty does not apply to products damaged through misuse, abuse, improper installation, alteration, rework, or attempt to repair.