

INDICATORS • SPEAKERS • SOUND TRANSDUCERS • ENCLOSURES • MICROPHONES • BATTERY ACCESSORIES

CS15-01P85-03-1

Former P/N: CES150V030BC06PMN850UR

Rev. 2-2019
 RoHS3 & REACH
 Mobile Speakers



Operating Characteristics

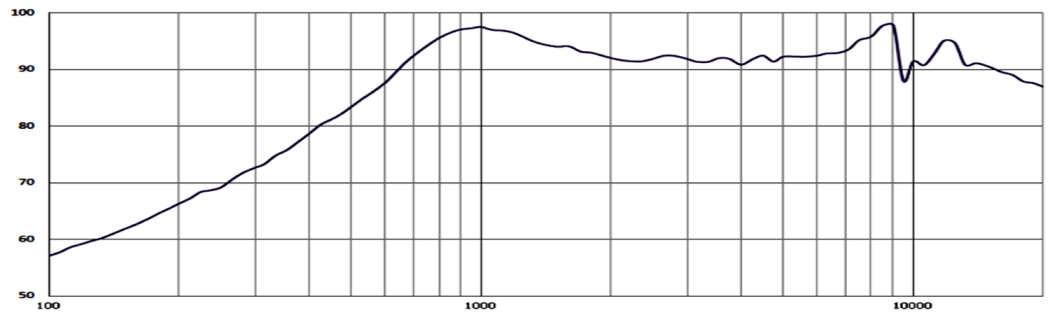
ELECTRICAL

Rated Power	1.0 W
Short Term Max Power	1.2 W
Impedance	6 Ω ± 15 % 2000 Hz; 1 W

ACOUSTIC: 1CC Sealed Enclosure

f_0	850 Hz ± 20 % 1 W
Freq. Range	850 to 20000 Hz
Rated SPL	93 ± 3 dB 2000 Hz; 1 W; 10 cm;
Distortion	<10 % 1000 Hz; 1 W

2. 45Vrms/10cm in 1cc BOX



Physical Characteristics

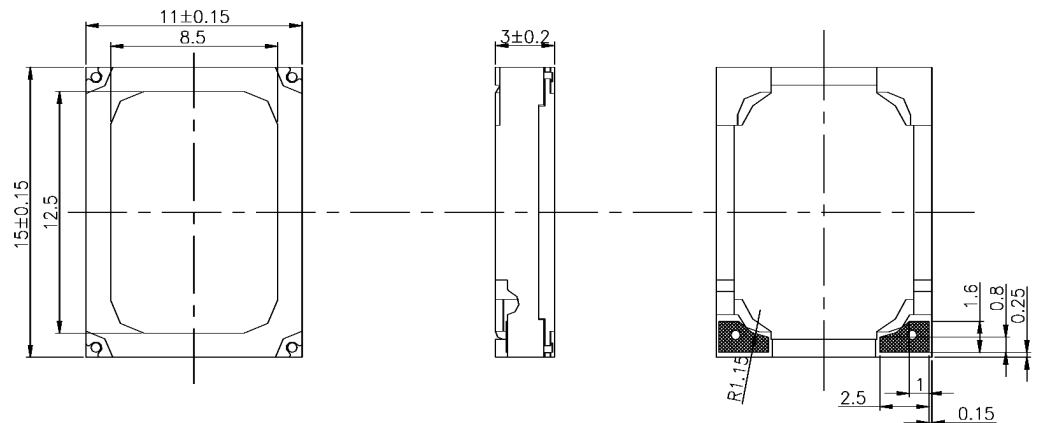
MATERIALS

Housing	Plastic
Cone	PEEK
Magnet	NdFeB
Solder Pad	Tin Plated SUS

TEMPERATURE RANGES

Operating	-20 to +70 °C
Storage	-40 to +85 °C

Weight 1.5 g



Revision	Description	By	Date
1-2017	Changed RoHS to RoHS3	JL	2017-10-02
2-2019	Migrate to new format	JL	2019-06-21

Warranty: For a period of one (1) year from date of shipping under normal operations conditions This warranty does not apply to products damaged through misuse, abuse, improper installation, alteration, rework, or attempt to repair.

The information contained herein is believed to be correct, but no guarantee or warranty, express or implied, with respect to accuracy, completeness or results is extended and no liability is assumed. Challenge Electronics reserves the right to make changes in any specification, data or material contained herein.