

INDICATORS • SPEAKERS • SOUND TRANSDUCERS • ENCLOSURES • MICROPHONES • BATTERY ACCESSORIES

## CS15-00P90-03-1

Former P/N: CES150R035F8SMN900UR

Rev. 1-2019  
RoHS3 & REACH  
Round Speakers



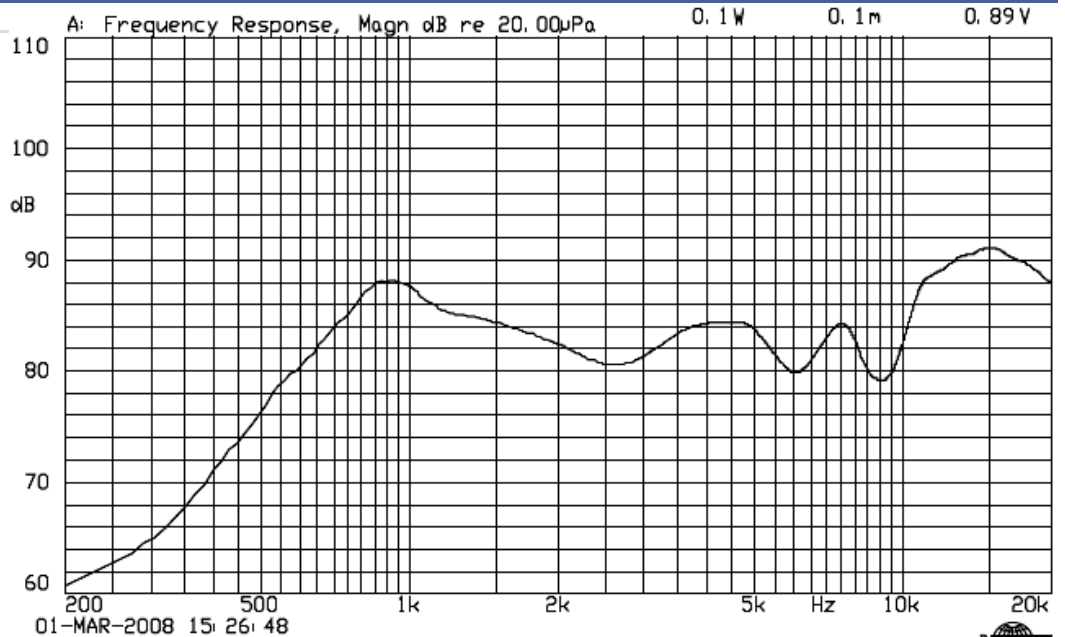
### Operating Characteristics

#### ELECTRICAL

Rated Power	0.3 W
Short Term Max Power	0.5 W
Impedance	8 Ω ± 15 % 2000 Hz; 0.125 W

#### ACOUSTIC: Baffle Board

$f_0$	900 Hz ± 20 % 0.125 W
Freq. Range	900 to 20000 Hz
Rated SPL	84 ± 3 dB 800, 1000, 1200, 1500 Hz; 0.1 W; 10 cm;
Distortion	<5 % 1000 Hz; 0.3 W



### Physical Characteristics

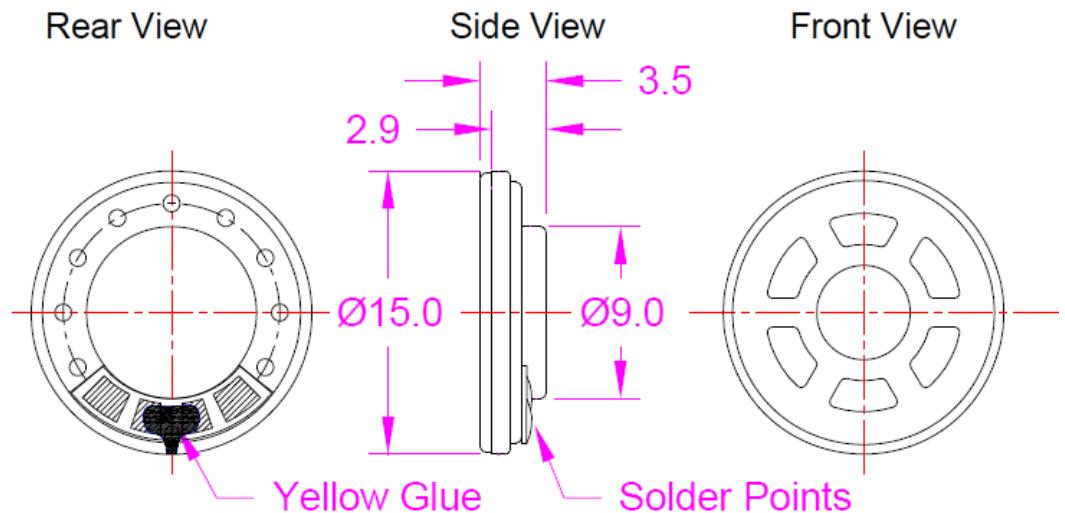
#### MATERIALS

Housing	Steel
Cone	Mylar
Magnet	NdFeB

#### TEMPERATURE RANGES

Operating	-20 to +60 °C
Storage	-30 to +60 °C

Weight	2 g
--------	-----



Revision	Description	By	Date
0-2012	Initial Specification Sheet	EZ	2012-06-14
1-2019	Migrate to new format	JL	2019-06-21

Warranty: For a period of one (1) year from date of shipping under normal operations conditions This warranty does not apply to products damaged through misuse, abuse, improper installation, alteration, rework, or attempt to repair.

The information contained herein is believed to be correct, but no guarantee or warranty, express or implied, with respect to accuracy, completeness or results is extended and no liability is assumed. Challenge Electronics reserves the right to make changes in any specification, data or material contained herein.