

INDICATORS • SPEAKERS • SOUND TRANSDUCERS • ENCLOSURES • MICROPHONES • BATTERY ACCESSORIES

CS134-08D13-56-1

Former P/N: 51410CESH

Rev. 3-2019
RoHS3 & REACH
Square Speakers



Operating Characteristics

ELECTRICAL

Rated Power	8.0 W
Short Term Max Power	15.0 W
Impedance	8 Ω ± 15 % 1000 Hz; 0.125 W

ACOUSTIC: Baffle Board

f_o	134.62 Hz ± 20 % 0.125 W
Freq. Range	134.62 to 18000 Hz
Rated SPL	90.5 ± 3 dB 400, 600, 800, 1000, 1500 Hz; 1.0 W; 100 cm;
Distortion	<5 % 1000 Hz; 0.125 W



Physical Characteristics

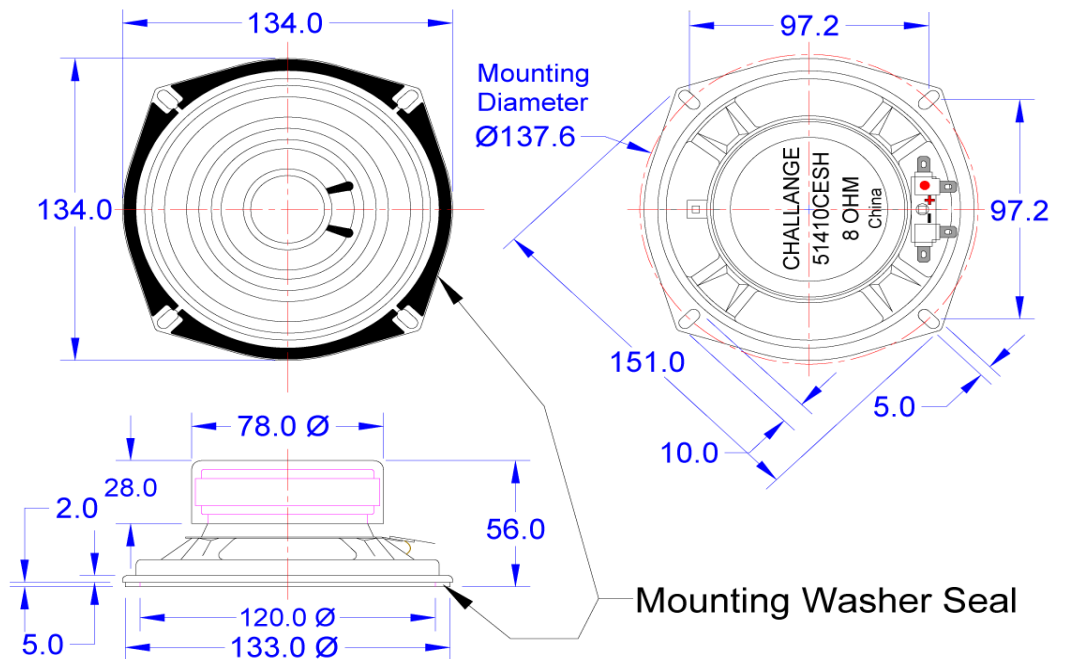
MATERIALS

Housing	Steel
Cone	Paper
Magnet	NdFeB
Solder Tab	Tin Plated Copper

TEMPERATURE RANGES

Operating	-20 to +60 °C
Storage	-30 to +70 °C

Weight 1300 g



Revision	Description	By	Date
3-2019	Migrate to new format	WS	2019-06-21

Warranty: For a period of one (1) year from date of shipping under normal operations conditions This warranty does not apply to products damaged through misuse, abuse, improper installation, alteration, rework, or attempt to repair.