

INDICATORS • SPEAKERS • SOUND TRANSDUCERS • ENCLOSURES • MICROPHONES • BATTERY ACCESSORIES

# CS134-08D12-51-1

Former P/N: 51410CE

 Rev. 4-2021  
 RoHS3 & REACH  
 Square Speakers

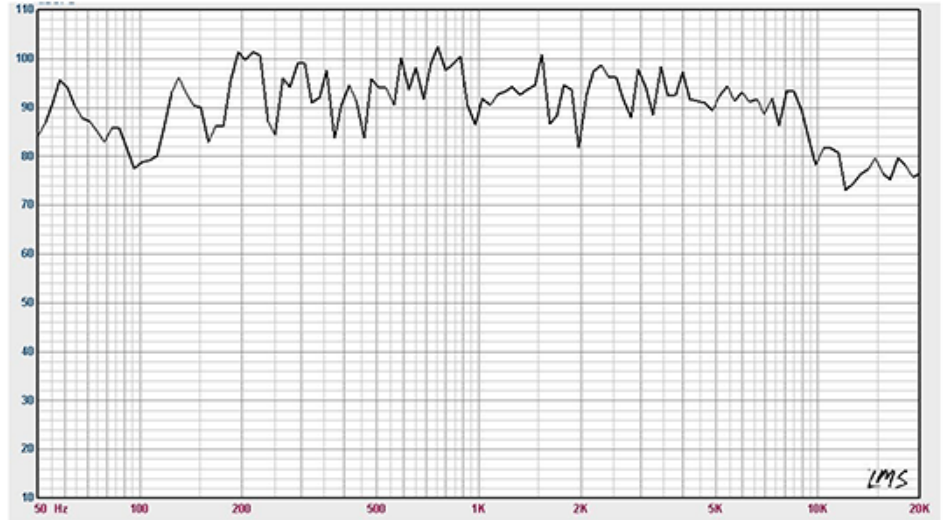

## Operating Characteristics

### ELECTRICAL

Rated Power	8.0 W
Short Term Max Power	15.0 W
Impedance	8 Ω ± 15 % 1000 Hz; 0.125 W

### ACOUSTIC: Baffle Board

$f_o$	121 Hz ± 20 % 0.125 W
Freq. Range	121 to 18000 Hz
Rated SPL	90.5 ± 3 dB 400, 600, 800, 1000, 1500 Hz; 1.0 W; 100 cm;
Distortion	<5 % 1000 Hz; 0.125 W



## Physical Characteristics

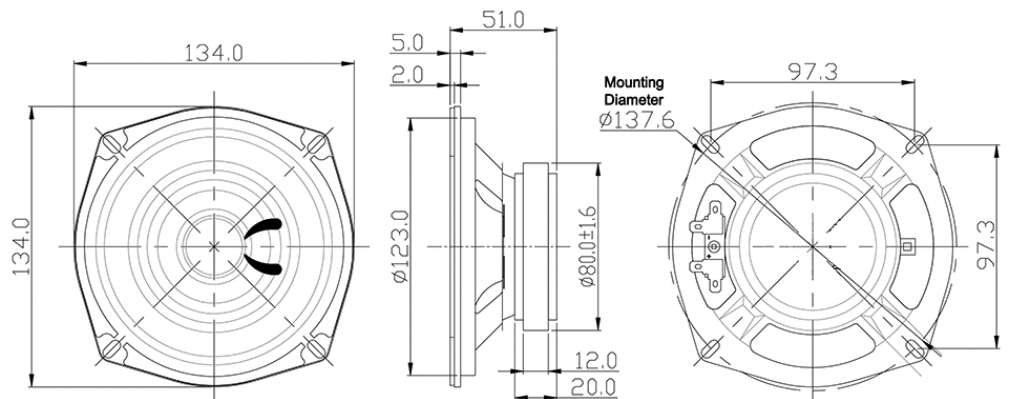
### MATERIALS

Housing	Steel
Cone	Paper
Magnet	Ferrite
Solder Tab	Tin Plated Iron

### TEMPERATURE RANGES

Operating	-25 to +65 °C
Storage	-30 to +70 °C

Weight 1200 g



Tolerance: ± 0.3 mm unless specified otherwise.

All Measurements are mm unless noted otherwise.

Revision	Description	By	Date
3-2019	Migrate to new format	WS	2019-06-21
4-2021	Updated mechanical drawing, frequency response curve, and photo. Updated operating temp. range from -20°C to 60°C to -25°C to 65°C. Corrected magnet material from NdFeB to Ferrite. Updated termination material from Tin Plated Copper to Tin Plated Iron.	CT	2021-10-11

Warranty: For a period of one (1) year from date of shipping under normal operations conditions. This warranty does not apply to products damaged through misuse, abuse, improper installation, alteration, rework, or attempt to repair.