

INDICATORS • SPEAKERS • SOUND TRANSDUCERS • ENCLOSURES • MICROPHONES • BATTERY ACCESSORIES

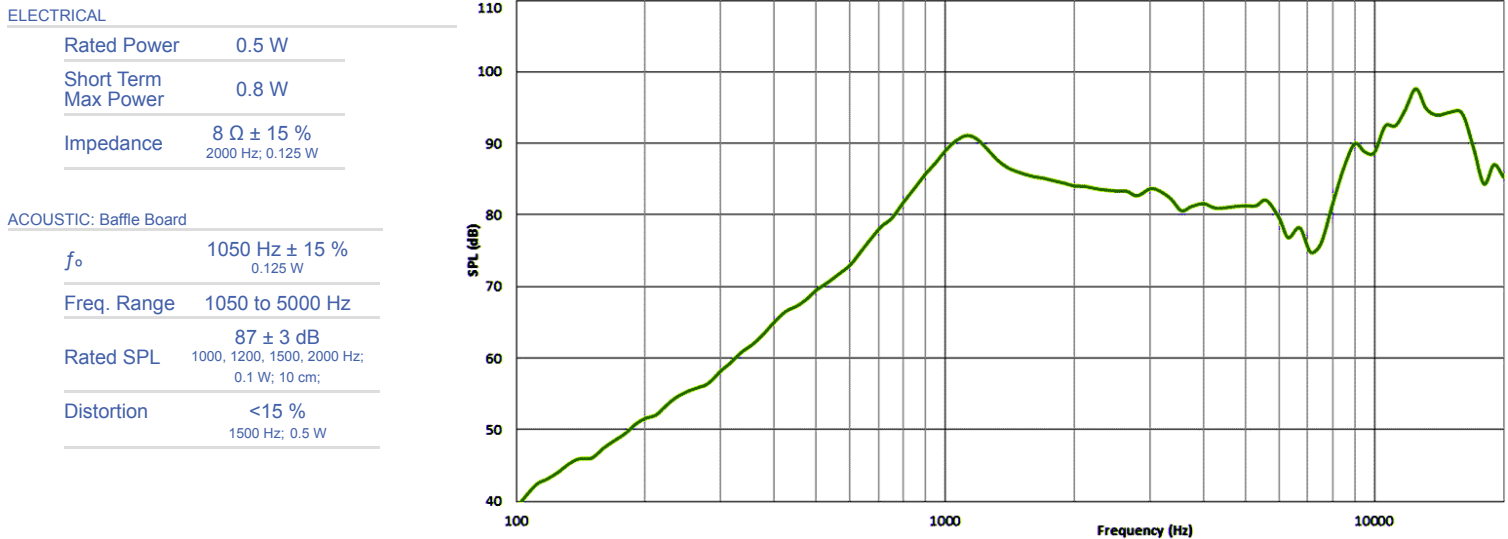
CS13-00W105-03-1X

Former P/N: CS13W-00105-031

Rev. 2-2019
RoHS3 & REACH & IP67
Round Speakers



Operating Characteristics



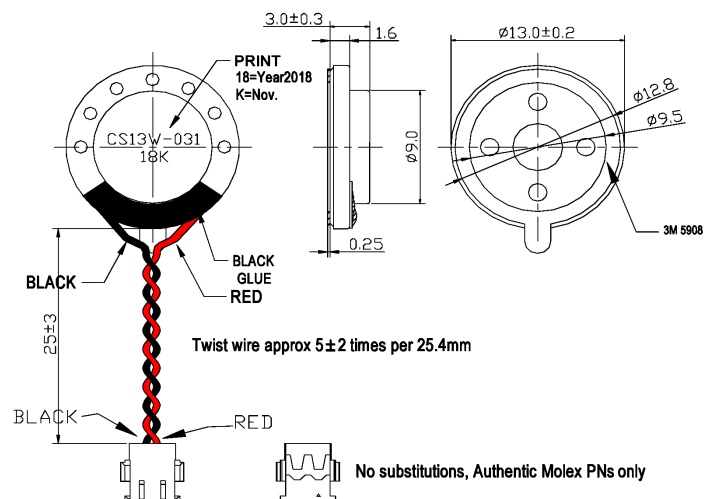
Physical Characteristics

MATERIALS	
Housing	Steel
Cone	Mylar
Magnet	NdFeB
Wire	UL 1571, 30 AWG
Connector	Molex 78172-0002

TEMPERATURE RANGES	
Operating	-30 to +60 °C
Storage	-40 to +70 °C

Weight	0.8 g
--------	-------

Unless otherwise specified, tolerance: ±0.3(unit: mm)



Revision	Description	By	Date
1-2019	Migrate to new format.	CF	2019-06-24
2-2019	Updated mechanical drawing with adhesive liner pull tab and 5 wire twists per 25.4 mm.	JL	2019-10-24

Warranty: For a period of one (1) year from date of shipping under normal operations conditions This warranty does not apply to products damaged through misuse, abuse, improper installation, alteration, rework, or attempt to repair.