

INDICATORS • SPEAKERS • SOUND TRANSDUCERS • ENCLOSURES • MICROPHONES • BATTERY ACCESSORIES

# CS12-00R60-02-1X

Former P/N: CS12R-0060-021

 Rev. 2-2021  
 RoHS3 & REACH  
 IP67 Front Face  
 Receiver Speakers

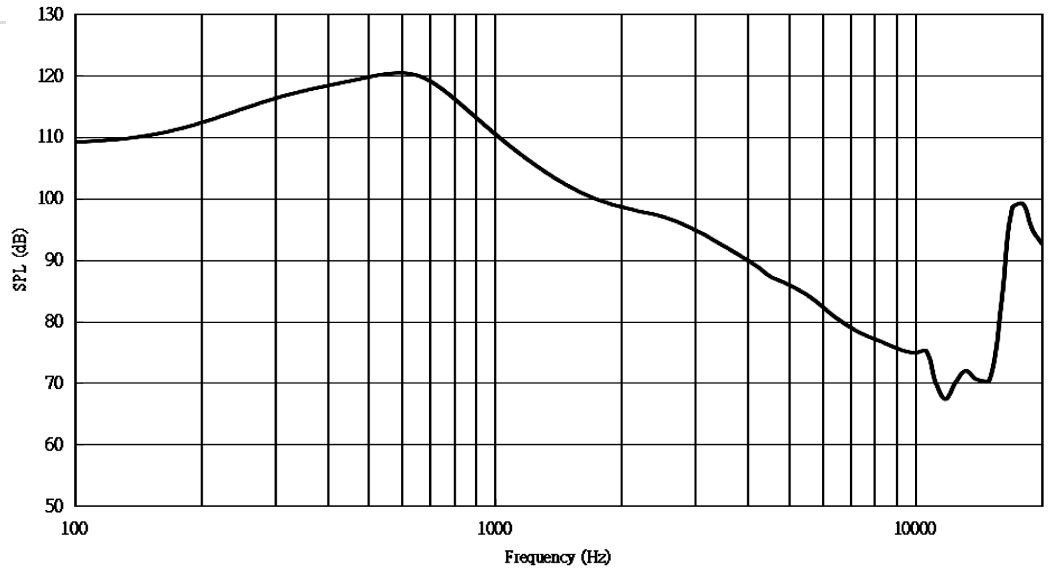

## Operating Characteristics

### ELECTRICAL

Rated Power	0.02 W
Short Term Max Power	0.03 W
Impedance	30 Ω ± 15 % 1000 Hz; 0.001 W

### ACOUSTIC: IEC-318 Artificial Ear

$f_o$	600 Hz ± 20 % 0.001 W
Freq. Range	600 to 7000 Hz
Rated SPL	110 ± 3 dB 1000 Hz; 0.001 W;
Distortion	Max 8 % 1000 Hz; 0.001 W



## Physical Characteristics

### MATERIALS

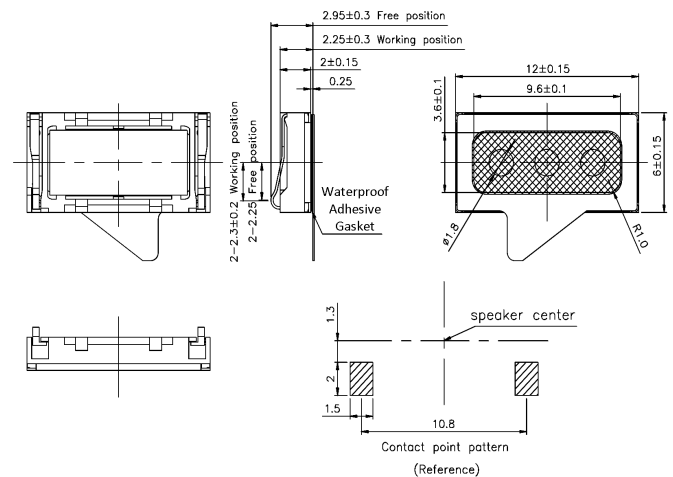
Housing	Black LCP
Cone	PEEK
Magnet	NdFeB
Spring	Stainless Steel

### TEMPERATURE RANGES

Operating	-30 to +70 °C
Storage	-40 to +85 °C

Weight 0.4 g

Unless otherwise specified, tolerance: ±0.2 (unit:mm)



All Measurements are mm unless noted otherwise.

Revision	Description	By	Date
1-2020	Corrected mechanical drawing dimension from 0.9 mm radius to 1.0 mm radius and updated height call-out of 3.05 mm thickness to 2.95 mm thickness without pull tab label.	JL	2020-03-06
2-2021	Updated form factor callout from mobile to receiver.	CT	2021-06-30

Warranty: For a period of one (1) year from date of shipping under normal operations conditions. This warranty does not apply to products damaged through misuse, abuse, improper installation, alteration, rework, or attempt to repair.