

CS105-10D08-51-1

 Rev. 1-2021
 RoHS3 & REACH
 Square Speakers

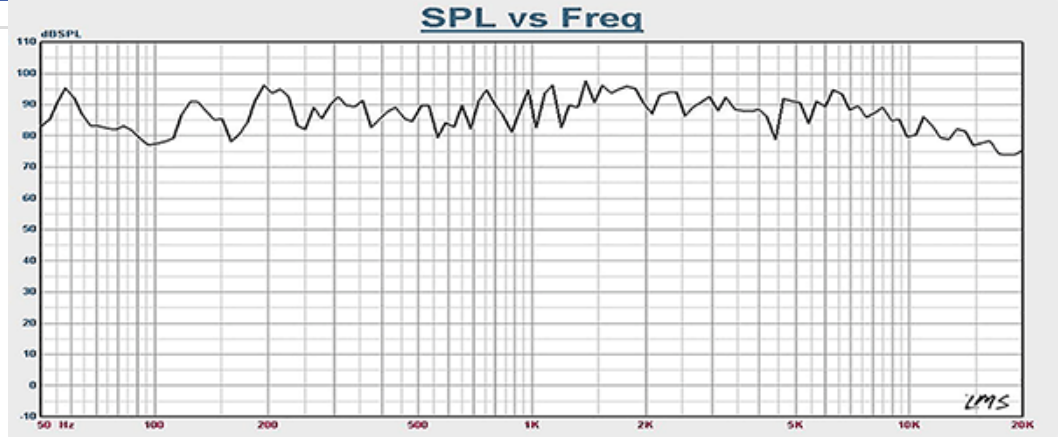

Operating Characteristics

ELECTRICAL

Rated Power	10 W
Short Term Max Power	20 W
Impedance	4 Ω ± 15 % 300 Hz; 1 W

ACOUSTIC: Baffle Board

f_o	85 Hz ± 20 % 0.25 W, Without Baffle Board
Freq. Range	85 to 20000 Hz
Rated SPL	88 ± 3 dB 300, 400, 500, 600 Hz; 1 W; 100 cm;
Distortion	Max 5 % 1000 Hz; 1 W



Physical Characteristics

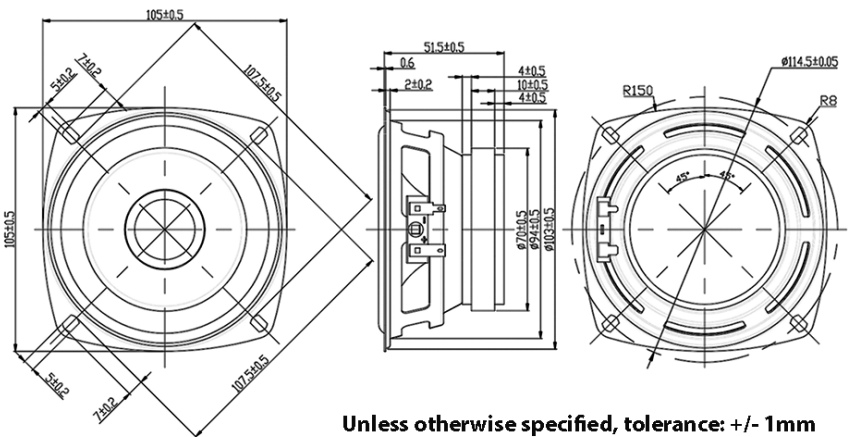
MATERIALS

Housing	Metal
Cone	Paper
Magnet	Ferrite
Solder Tabs	Tin Plated Copper

TEMPERATURE RANGES

Operating	-20 to +60 °C
Storage	-30 to +65 °C

Weight	422.6 g
--------	---------



Unless otherwise specified, tolerance: +/- 1mm

All Measurements are mm unless noted otherwise.

Revision	Description	By	Date
0-2021	Original Specification	CT	2021-06-14
1-2021	Updated default photo to speaker photo.	CT	2021-06-28

Warranty: For a period of one (1) year from date of shipping under normal operations conditions. This warranty does not apply to products damaged through misuse, abuse, improper installation, alteration, rework, or attempt to repair.

The information contained herein is believed to be correct, but no guarantee or warranty, express or implied, with respect to accuracy, completeness or results is extended and no liability is assumed. Challenge Electronics reserves the right to make changes in any specification, data or material contained herein.
 ©2021 Challenge Electronics, Inc. Pub. 20210629092425