

INDICATORS • SPEAKERS • SOUND TRANSDUCERS • ENCLOSURES • MICROPHONES • BATTERY ACCESSORIES

## CS102-05D24-43-1

Former P/N: 4060CE

Rev. 3-2019  
RoHS3 & REACH  
Square Speakers



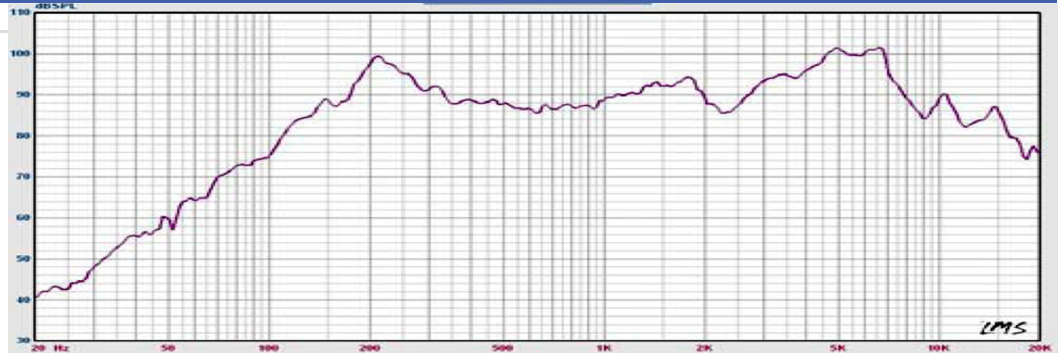
### Operating Characteristics

#### ELECTRICAL

Rated Power	5.0 W
Short Term Max Power	10.0 W
Impedance	8 Ω ± 15 % 1000 Hz; 0.125 W

#### ACOUSTIC: Baffle Board

$f_0$	241 Hz ± 20 % 0.125 W
Freq. Range	241 to 18000 Hz
Rated SPL	88.6 ± 3 dB 400, 600, 800, 1000, 1500 Hz; 1.0 W; 100 cm;
Distortion	<5 % 1000 Hz; 0.125 W



### Physical Characteristics

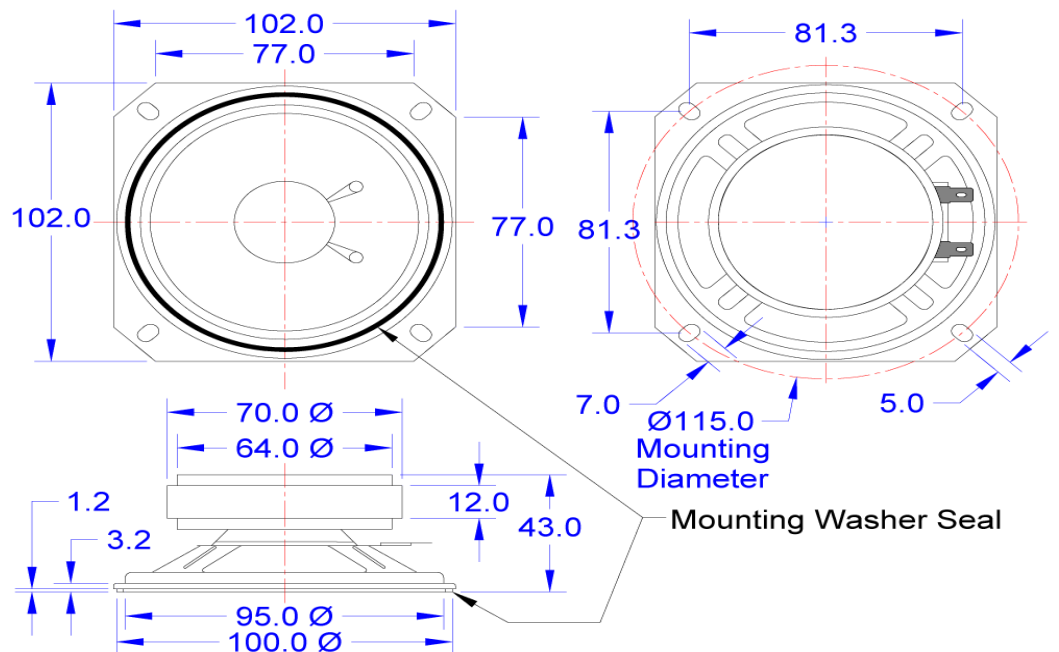
#### MATERIALS

Housing	Steel
Cone	Paper
Magnet	NdFeB
Solder Tab	Tin Plated Copper

#### TEMPERATURE RANGES

Operating	-20 to +60 °C
Storage	-30 to +70 °C

Weight 1100 g



Revision	Description	By	Date
3-2019	Migrate to New format	WS	2019-06-21

Warranty: For a period of one (1) year from date of shipping under normal operations conditions This warranty does not apply to products damaged through misuse, abuse, improper installation, alteration, rework, or attempt to repair.