

INDICATORS • SPEAKERS • SOUND TRANSDUCERS • ENCLOSURES • MICROPHONES • BATTERY ACCESSORIES

CS102-05D23-49-1

Former P/N: 4060CESHLF-4

Rev. 1-2019
RoHS3 & REACH
Square Speakers



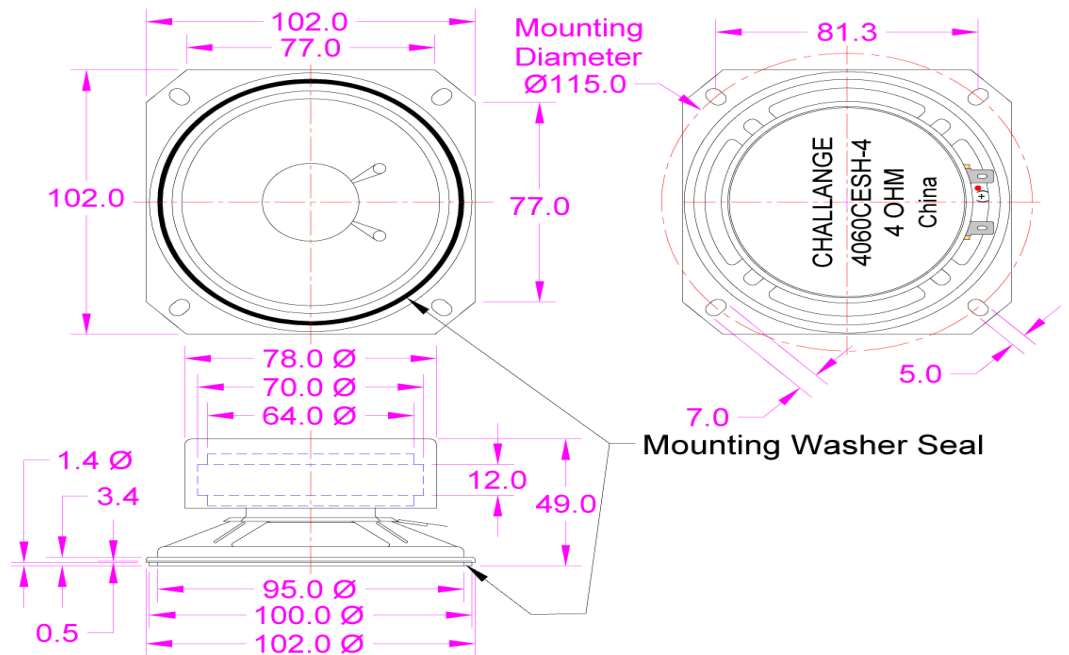
Operating Characteristics

ELECTRICAL	
Rated Power	5.0 W
Short Term Max Power	10.0 W
Impedance	4 Ω ± 15 % 1000 Hz; 0.25 W
ACOUSTIC: Baffle Board	
f_0	232 Hz ± 20 % 0.25 W
Freq. Range	232 to 18000 Hz
Rated SPL	89.1 ± 3 dB 400, 600, 800, 1000, 1500 Hz; 1.0 W; 100 cm;
Distortion	<5 % 1000 Hz; 0.25 W



Physical Characteristics

MATERIALS	
Housing	Steel
Cone	Paper
Magnet	NdFeB
Solder Tab	Tin Plated Copper
TEMPERATURE RANGES	
Operating	-20 to +60 °C
Storage	-30 to +70 °C
Weight	1100 g



Revision	Description	By	Date
1-2019	Migrate to new format	WS	2019-06-21

Warranty: For a period of one (1) year from date of shipping under normal operations conditions This warranty does not apply to products damaged through misuse, abuse, improper installation, alteration, rework, or attempt to repair.