

INDICATORS • SPEAKERS • SOUND TRANSDUCERS • ENCLOSURES • MICROPHONES • BATTERY ACCESSORIES

## CS102-05D22-37-1

Former P/N: 4030CE

Rev. 3-2019  
RoHS3 & REACH  
Square Speakers



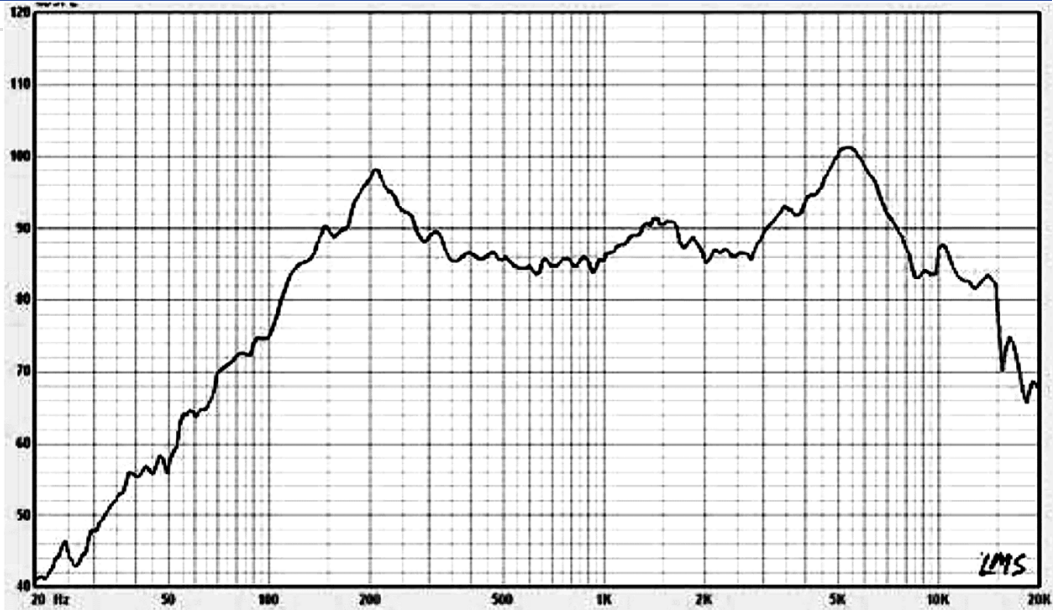
### Operating Characteristics

#### ELECTRICAL

|                      |                                |
|----------------------|--------------------------------|
| Rated Power          | 5.0 W                          |
| Short Term Max Power | 10.0 W                         |
| Impedance            | 8 Ω ± 15 %<br>1000 Hz; 0.125 W |

#### ACOUSTIC: Baffle Board

|             |  |
|-------------|--|
| $f_0$       | 222 Hz ± 20 %<br>0.125 W                                     |
| Freq. Range | 222 to 18000 Hz  |
| Rated SPL   | 86 ± 3 dB<br>400, 600, 800, 1000, 1500 Hz;<br>1.0 W; 100 cm; |
| Distortion  | <5 %<br>1000 Hz; 0.125 W                                     |



### Physical Characteristics

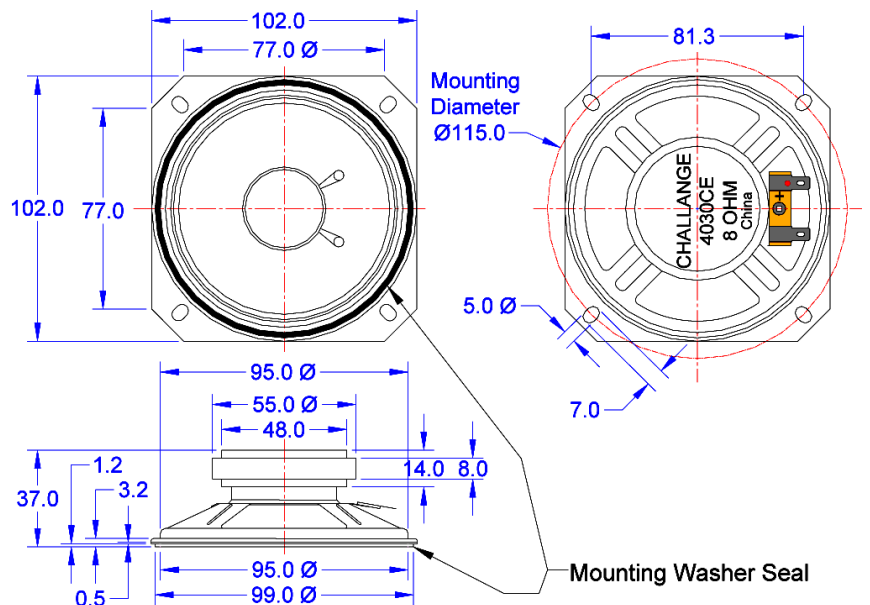
#### MATERIALS

|            |                   |
|------------|-------------------|
| Housing    | Steel             |
| Cone       | Paper             |
| Magnet     | NdFeB             |
| Solder Tab | Tin Plated Copper |

#### TEMPERATURE RANGES

|           |               |
|-----------|---------------|
| Operating | -20 to +60 °C |
| Storage   | -30 to +70 °C |

Weight 1000 g



| Revision | Description           | By | Date       |
|----------|-----------------------|----|------------|
| 3-2019   | Migrate to new format | WS | 2019-06-21 |

Warranty: For a period of one (1) year from date of shipping under normal operations conditions This warranty does not apply to products damaged through misuse, abuse, improper installation, alteration, rework, or attempt to repair.