

CT63P-60T300-1

 Rev. 1-2019
 RoHS3 & REACH
 Piezoelectric Sound Transducers

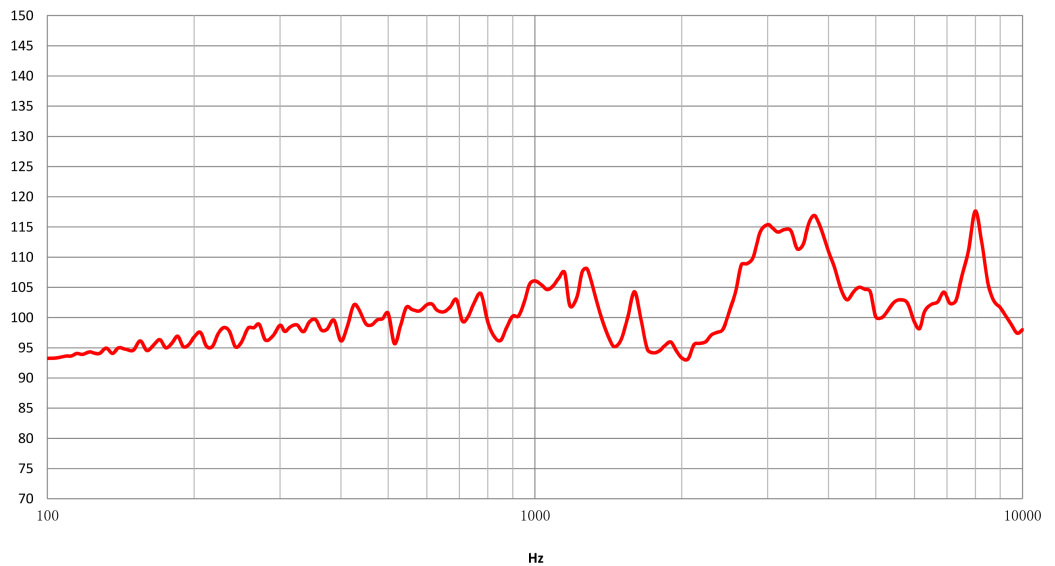

Operating Characteristics

ELECTRICAL

| | |
|------------------------|----------------------------|
| Rated Voltage | 12 Vp-p |
| Max Operating Voltage | 60 Vp-p |
| Max Current at V Rated | 25 mA |
| Capacitance | 140000 pF ± 30 % 120 Hz |

ACOUSTIC

| | |
|--------------------|---------|
| Min SPL at V Rated | 100 dB |
| Test Conditions | 30 cm |
| f_0 | 3000 Hz |



Physical Characteristics

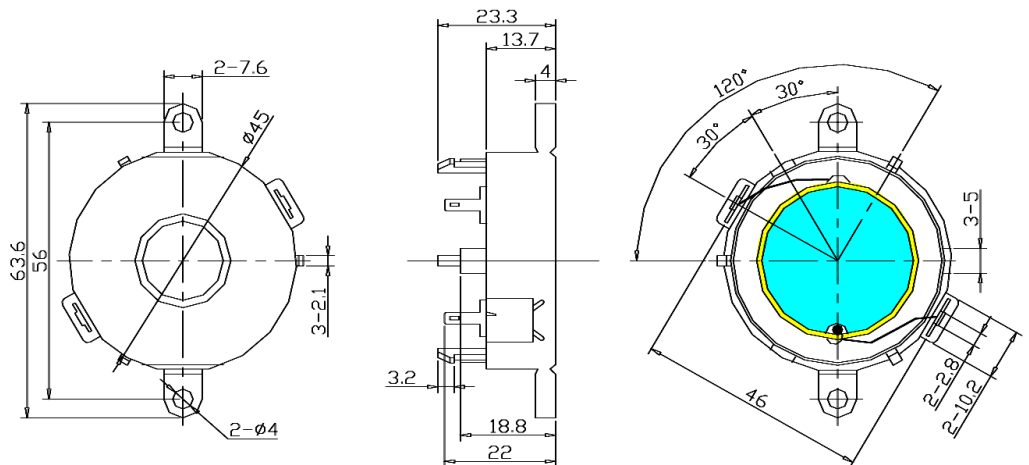
MATERIALS

| | |
|-----------|-----------------------------|
| Housing | Nylon |
| Diaphragm | Mylar with Brass Piezo Disc |
| PC Pin | Red Copper (DSn) |

TEMPERATURE RANGES

| | |
|-----------|----------------|
| Operating | -40 to +105 °C |
| Storage | -40 to +105 °C |

Weight 13.5 g



| Revision | Description | By | Date |
|----------|--|----|------------|
| 0-2019 | Initial Specification Sheet | JL | 2019-06-11 |
| 1-2019 | Migrate to new format. Updated max current from 7 mA to 25 mA. | JL | 2019-06-18 |

Warranty: For a period of one (1) year from date of shipping under normal operations conditions This warranty does not apply to products damaged through misuse, abuse, improper installation, alteration, rework, or attempt to repair.

The information contained herein is believed to be correct, but no guarantee or warranty, express or implied, with respect to accuracy, completeness or results is extended and no liability is assumed. Challenge Electronics reserves the right to make changes in any specification, data or material contained herein.