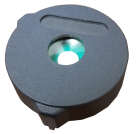


CT54P-60T100-1

Former P/N: CT54PT-60100-1

 Rev. 2-2019
 RoHS3 & REACH
 Piezoelectric Sound Transducers


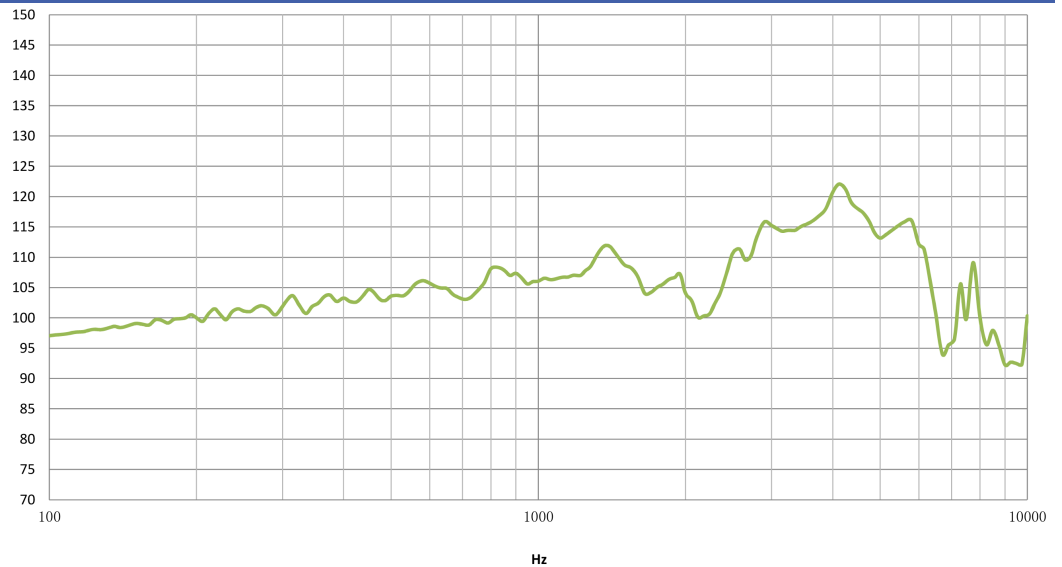
Operating Characteristics

ELECTRICAL

Rated Voltage	18 Vp-p
Max Operating Voltage	60 Vp-p
Max Current at V Rated	10 mA
Capacitance	120000 pF ± 30 % 120 Hz

ACOUSTIC

Min SPL at V Rated	105 dB
Test Conditions	10 cm
f_0	1000 Hz



Physical Characteristics

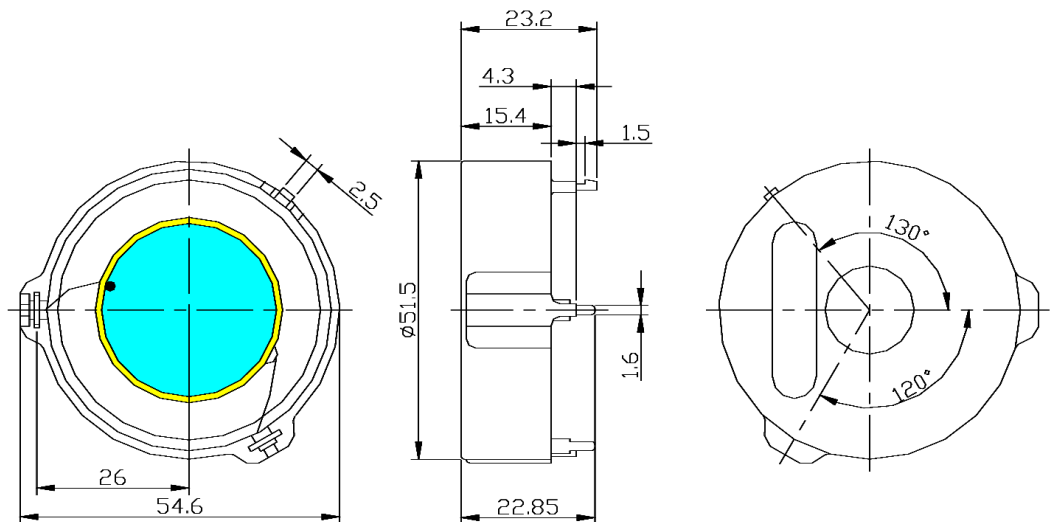
MATERIALS

Housing	Nylon
Diaphragm	Brass
PC Pin	Red Copper (DSn)

TEMPERATURE RANGES

Operating	-40 to +105 °C
Storage	-40 to +105 °C

Weight	14 g
--------	------



Revision	Description	By	Date
1-2019	Corrected capacitance from 120 pF to 120000 pF. Added max current.	JL	2019-06-18
2-2019	Migrate to new format.	CF	2019-06-24

Warranty: For a period of one (1) year from date of shipping under normal operations conditions This warranty does not apply to products damaged through misuse, abuse, improper installation, alteration, rework, or attempt to repair.

The information contained herein is believed to be correct, but no guarantee or warranty, express or implied, with respect to accuracy, completeness or results is extended and no liability is assumed. Challenge Electronics reserves the right to make changes in any specification, data or material contained herein.