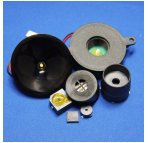


CT44P-30W30-1X

Rev. 0-2025
RoHS3 & REACH
IEC 60601-1-8 Medical Alarm Compliant & IPX7
Piezoelectric Sound Transducers



Operating Characteristics

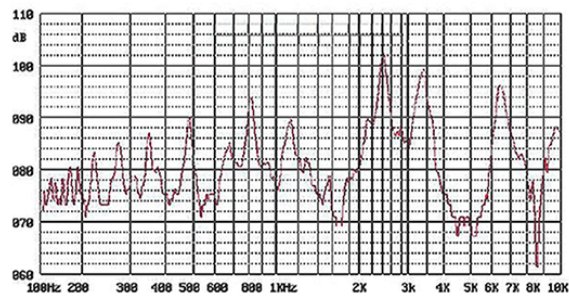
ELECTRICAL

Rated Voltage	5 Vp-p
Max Operating Voltage	30 Vp-p
Max Current at V Rated	5 mA
Capacitance	70,000 pF ± 30 % 100 Hz

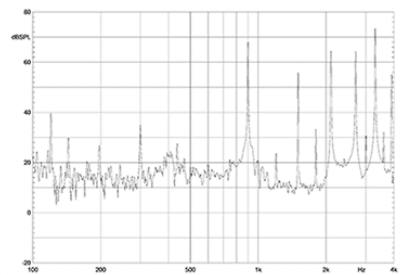
ACOUSTIC

Typical Loudness at V Rated	85-100 dB
Control Loudness at V Rated	68 dB
Test Conditions	10 cm
Recommended Drive Frequency	300 Hz

Frequency Response



IEC Compliant Spectrum



Physical Characteristics

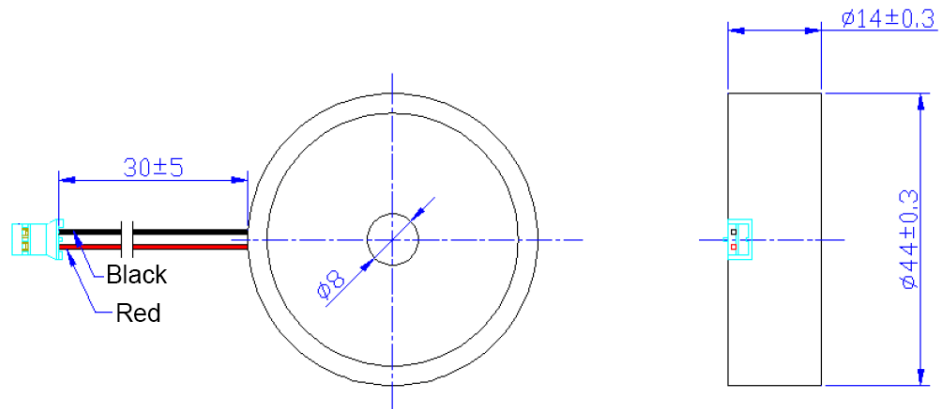
MATERIALS

Housing	Plastic, ABS
Diaphragm	Brass Disc
Wire	UL 1571, 28AWG
Connector	PH-2P

TEMPERATURE RANGES

Operating	-20 to +60 °C
Storage	-30 to +70 °C

Weight	9.6 g
--------	-------



General tolerance = ±0.3 mm and all measurements in mm unless otherwise noted.

Revision	Description	By	Date
0-2025	Original Specification	KG	2025-07-22

Warranty: For a period of one (1) year from date of shipping under normal operations conditions. This warranty does not apply to products damaged through misuse, abuse, improper installation, alteration, rework, or attempt to repair. IP Rating ensures functionality after water has been drained fully from device.

The information contained herein is believed to be correct, but no guarantee or warranty, express or implied, with respect to accuracy, completeness or results is extended and no liability is assumed. Challenge Electronics reserves the right to make changes in any specification, data or material contained herein.

*IEC 60601-1-8 compliance is assured by design and not production tested.

©2025 Challenge Electronics, Inc. Pub. 20250804161144