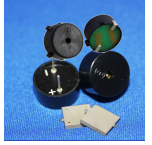


CT39P-20T320-3

Former P/N: CPF39B12-3.2R

Rev. 1-2019
 RoHS3 & REACH
 Piezoelectric Sound Transducers



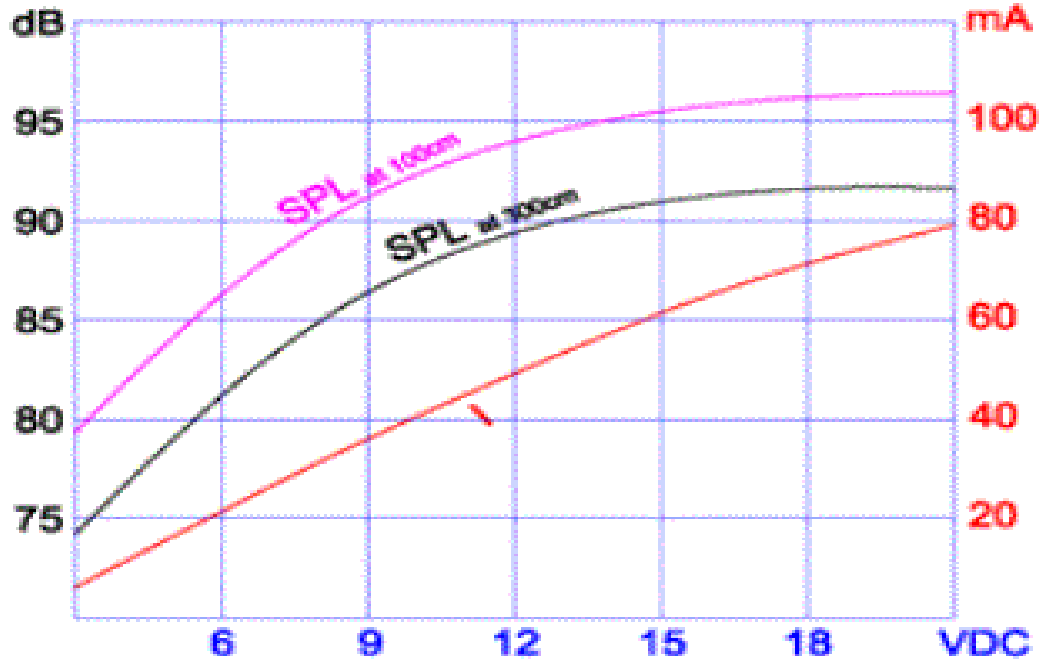
Operating Characteristics

ELECTRICAL

Rated Voltage	12 Vo-p
Max Operating Voltage	20 Vo-p
Max Current at V Rated	60 mA
Capacitance	25000 pF ± 30 % 100 Hz

ACOUSTIC

Min SPL at V Rated	85 dB
Test Conditions	300 cm
f _o	3200 ± 500 Hz



Physical Characteristics

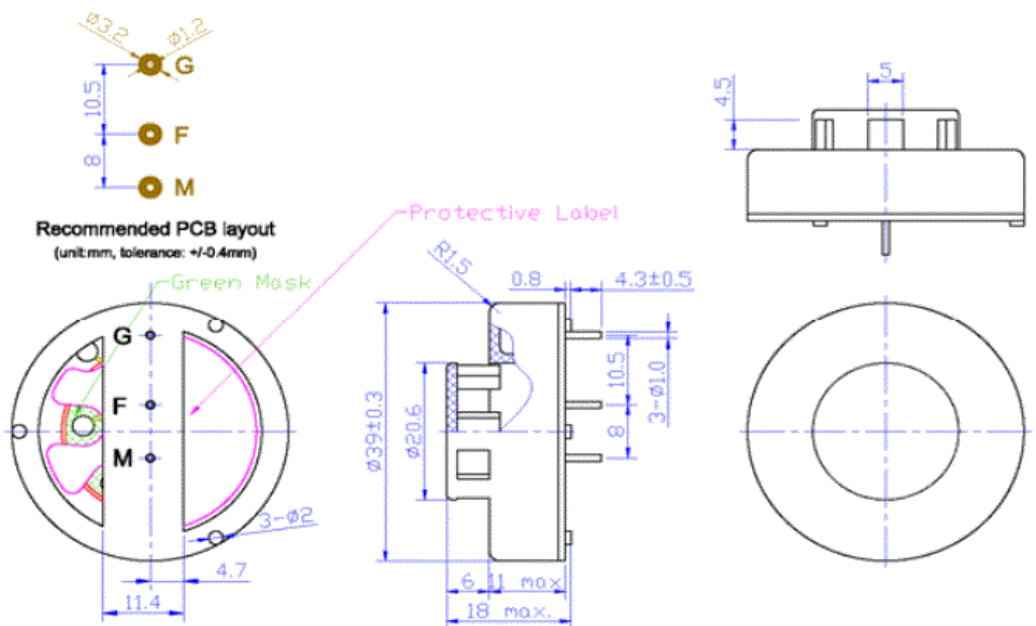
MATERIALS

Housing	Plastic, Noryl PX9406
Diaphragm	Stainless Steel 304
PC Pin	Electro-Tin Plated Brass

TEMPERATURE RANGES

Operating	-30 to +95 °C
Storage	-40 to +105 °C

Weight 8.6 g



Revision	Description	By	Date
1-2019	Migrate to new format	JL	2019-06-21

Warranty: For a period of one (1) year from date of shipping under normal operations conditions This warranty does not apply to products damaged through misuse, abuse, improper installation, alteration, rework, or attempt to repair.

The information contained herein is believed to be correct, but no guarantee or warranty, express or implied, with respect to accuracy, completeness or results is extended and no liability is assumed. Challenge Electronics reserves the right to make changes in any specification, data or material contained herein.

©2019 Challenge Electronics, Inc. 20190826155754