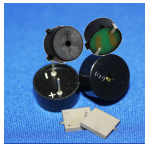


## CT20P-25S400-1

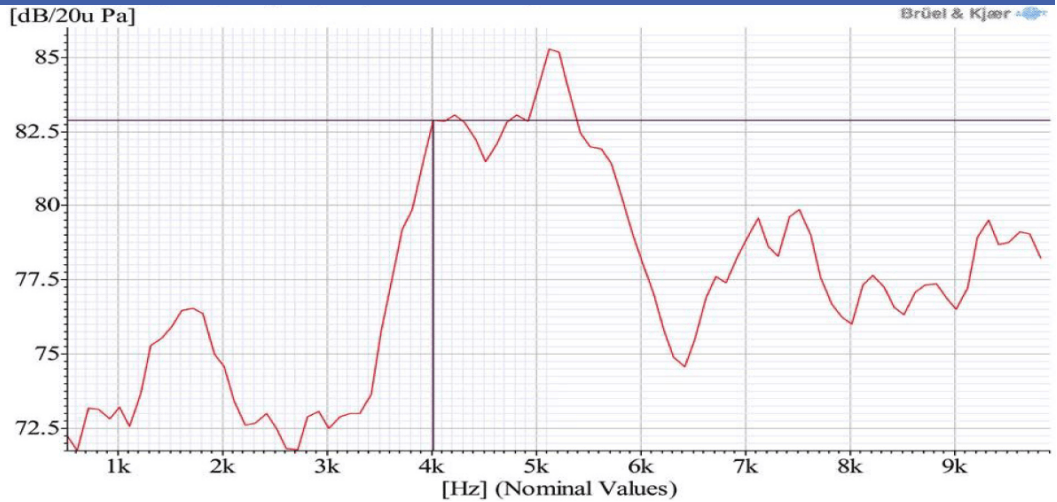
Former P/N: CEPT160T025-125-40NR

Rev. 3-2019  
 RoHS3 & REACH  
 Piezoelectric Sound Transducers



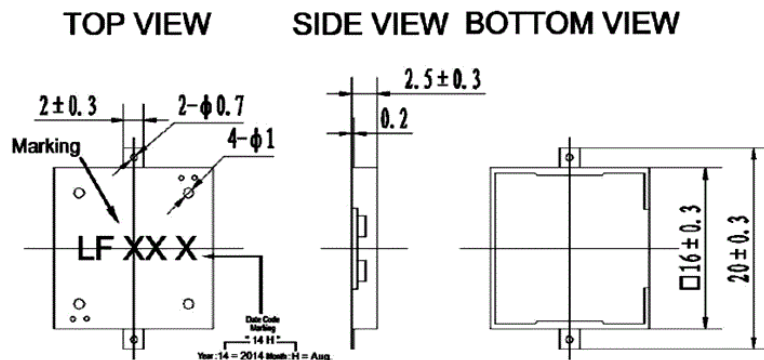
### Operating Characteristics

ELECTRICAL	
Rated Voltage	3 Vp-p
Max Operating Voltage	25 Vp-p
Max Current at V Rated	1 mA
Capacitance	15000 pF ± 30 % 1000 Hz
ACOUSTIC	
Min SPL at V Rated	68 dB
Test Conditions	10 cm
$f_o$	4000 ± 500 Hz

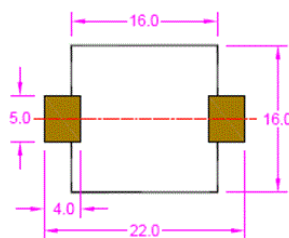


### Physical Characteristics

MATERIALS	
Housing	Plastic, LCP
Diaphragm	Nickel Alloy
Solder Pad	Copper and Tin
TEMPERATURE RANGES	
Operating	-20 to +70 °C
Storage	-30 to +80 °C
Weight	1 g



#### RECOMMENDED LAND PATTERN



Revision	Description	By	Date
2-2015	Revise termination and mechanical drawing	WS	2015-03-16
3-2019	Migrate to new format	JL	2019-06-21

Warranty: For a period of one (1) year from date of shipping under normal operations conditions This warranty does not apply to products damaged through misuse, abuse, improper installation, alteration, rework, or attempt to repair.