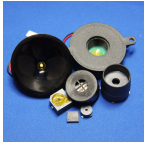


CT16P-30W400-1

Rev. 0-2025
 RoHS3 & REACH
 Piezoelectric Sound Transducers



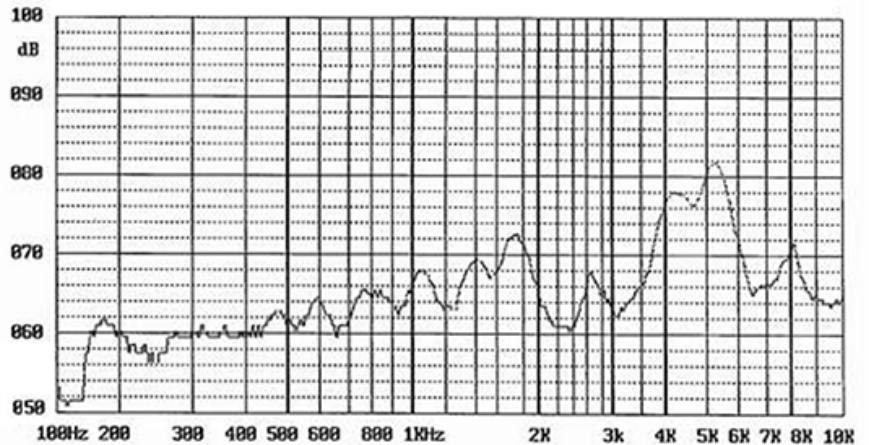
Operating Characteristics

ELECTRICAL

Rated Voltage	3 Vp-p
Max Operating Voltage	30 Vp-p
Max Current at V Rated	3 mA
Capacitance	15,000 pF ± 30 % 120 Hz

ACOUSTIC

Min SPL at V Rated	75 dB
Test Conditions	10 cm
f_0	4,000 Hz



Physical Characteristics

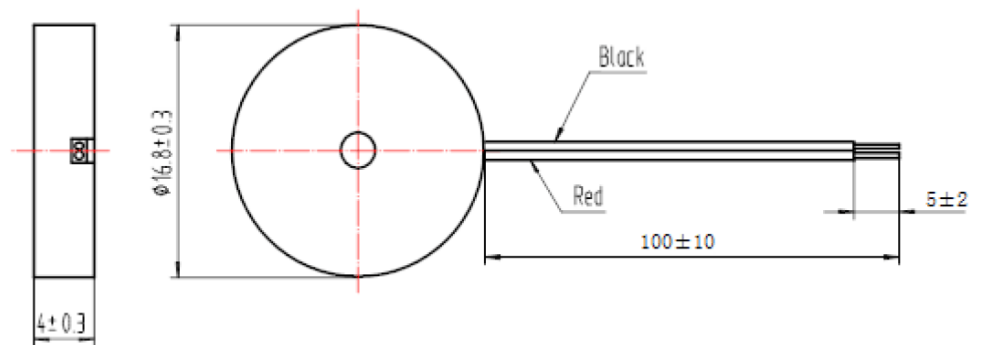
MATERIALS

Housing	Black Noryl
Diaphragm	Brass
Wire	UL1571, 30AWG

TEMPERATURE RANGES

Operating	-20 to +70 °C
Storage	-30 to +80 °C

Weight	1 g
--------	-----



General tolerance = ±0.5 mm and all measurements in mm unless otherwise noted.

Revision	Description	By	Date
0-2025	Original Specification	KG	2025-12-08

Warranty: For a period of one (1) year from date of shipping under normal operations conditions. This warranty does not apply to products damaged through misuse, abuse, improper installation, alteration, rework, or attempt to repair.

The information contained herein is believed to be correct, but no guarantee or warranty, express or implied, with respect to accuracy, completeness or results is extended and no liability is assumed. Challenge Electronics reserves the right to make changes in any specification, data or material contained herein.