

CT12P-25T400-2

 Rev. 4-2026
 RoHS3 & REACH
 Piezoelectric Sound Transducers

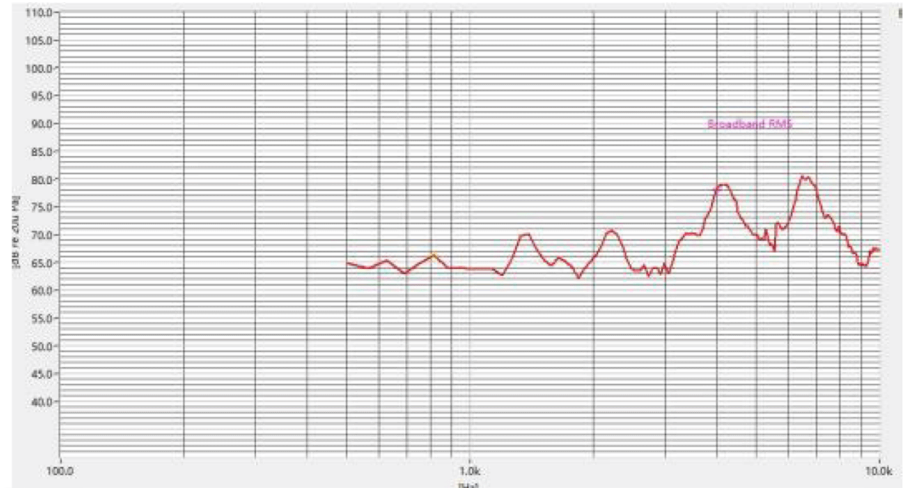

Operating Characteristics

ELECTRICAL

Rated Voltage	3 Vp-p
Max Operating Voltage	25 Vp-p
Max Current at V Rated	2 mA
Capacitance	12,000 pF ± 30 % 120 Hz

ACOUSTIC

Min SPL at V Rated	75 dB
Test Conditions	10 cm
f_0	4,000 Hz



Physical Characteristics

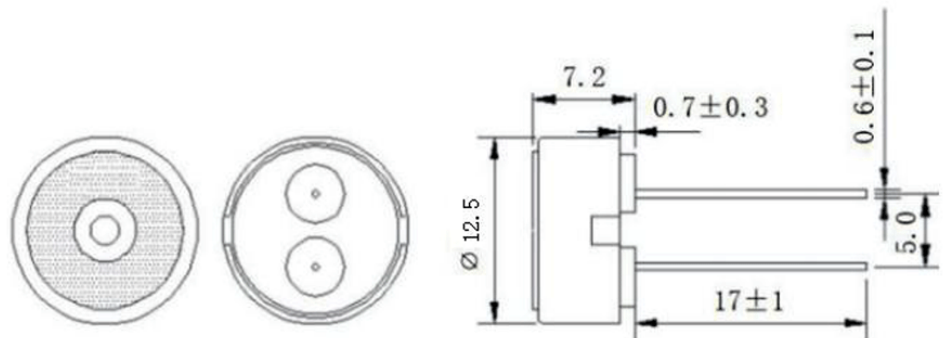
MATERIALS

Housing	Black PBT
Diaphragm	Ceramics + Brass
PC Pin	Tin Plated Copper

TEMPERATURE RANGES

Operating	-40 to +85 °C
Storage	-40 to +85 °C

Weight	0.75 g
--------	--------



General tolerance = ±0.5 mm and all measurements in mm unless otherwise noted.

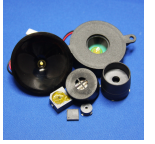
Revision	Description	By	Date
3-2026	Updated the diameter from 12.8mm to 12.5mm.	KG	2026-03-04
4-2026	Updated the Rated Voltage from 5vpp to 3vpp. Updated the Max. Rated Current from 5mA to 2mA. Updated the Capacitance testing conditions from 1,000Hz to 120Hz. Updated the Min SPL from 80dB to 75dB. Updated the Operating Temperature from -20 to +85 °C to -40 to +85 °C and the Storage Temperature from -30 to +85 °C to -40 to +85 °C. Updated the Frequency Response curve.	KG	2026-05-08

Warranty: For a period of one (1) year from date of shipping under normal operations conditions. This warranty does not apply to products damaged through misuse, abuse, improper installation, alteration, rework, or attempt to repair.

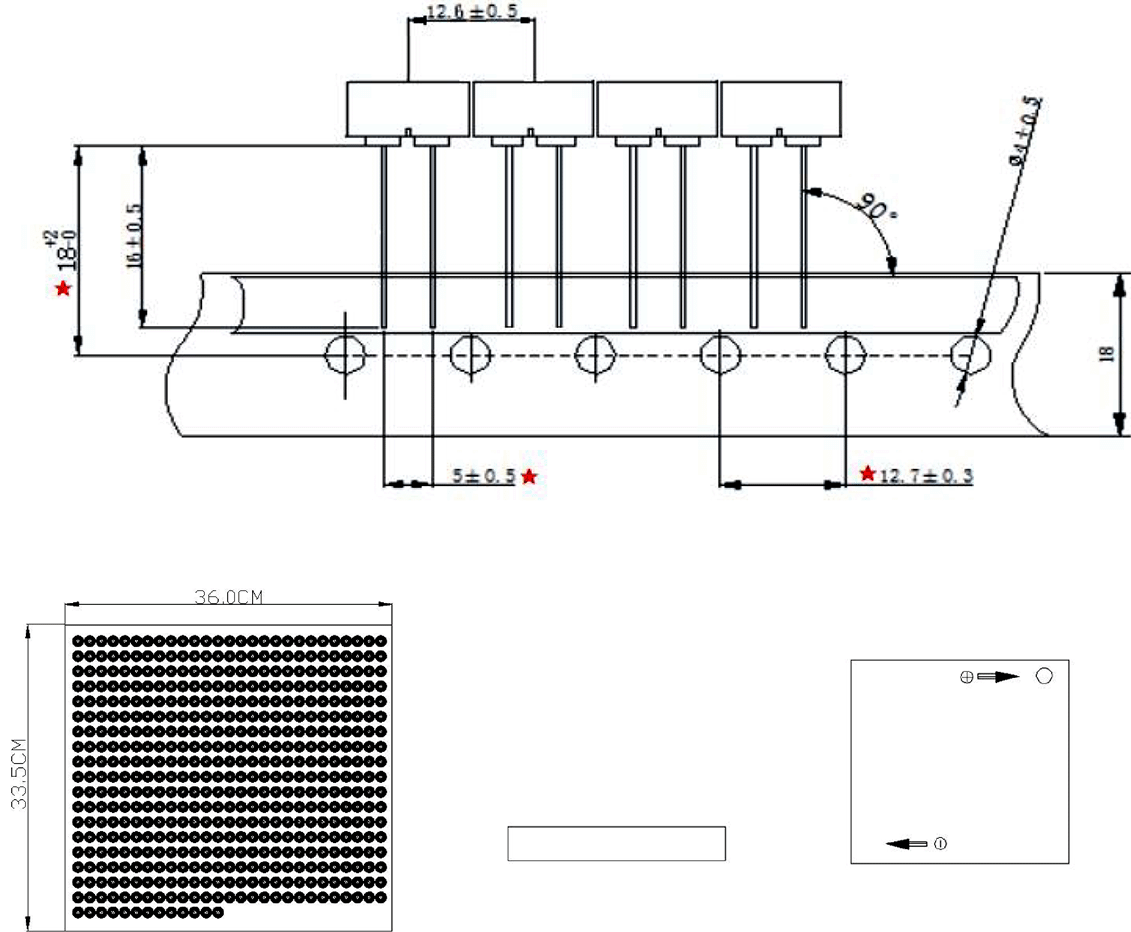
The information contained herein is believed to be correct, but no guarantee or warranty, express or implied, with respect to accuracy, completeness or results is extended and no liability is assumed. Challenge Electronics reserves the right to make changes in any specification, data or material contained herein.

CT12P-25T400-2

Rev. 4-2026
RoHS3 & REACH
Piezoelectric Sound Transducers



Packaging



Inner Box: 500PCS 34x30x4cm
Outer Box: 5,000PCS 61x35.5x23cm

Revision	Description	By	Date
3-2026	Updated the diameter from 12.8mm to 12.5mm.	KG	2026-03-04
4-2026	Updated the Rated Voltage from 5vpp to 3vpp. Updated the Max. Rated Current from 5mA to 2mA. Updated the Capacitance testing conditions from 1,000Hz to 120Hz. Updated the Min SPL from 80dB to 75dB. Updated the Operating Temperature from -20 to +85 °C to -40 to +85 °C and the Storage Temperature from -30 to +85 °C to -40 to +85 °C. Updated the Frequency Response curve.	KG	2026-05-08

Warranty: For a period of one (1) year from date of shipping under normal operations conditions. This warranty does not apply to products damaged through misuse, abuse, improper installation, alteration, rework, or attempt to repair.

The information contained herein is believed to be correct, but no guarantee or warranty, express or implied, with respect to accuracy, completeness or results is extended and no liability is assumed. Challenge Electronics reserves the right to make changes in any specification, data or material contained herein.