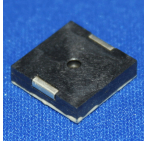


INDICATORS • SPEAKERS • SOUND TRANSDUCERS • ENCLOSURES • MICROPHONES • BATTERY ACCESSORIES

CT12P-20S400-7

Former P/N: CEPT120S030-400MR

Rev. 3-2019
RoHS3 & REACH
Piezoelectric Sound Transducers



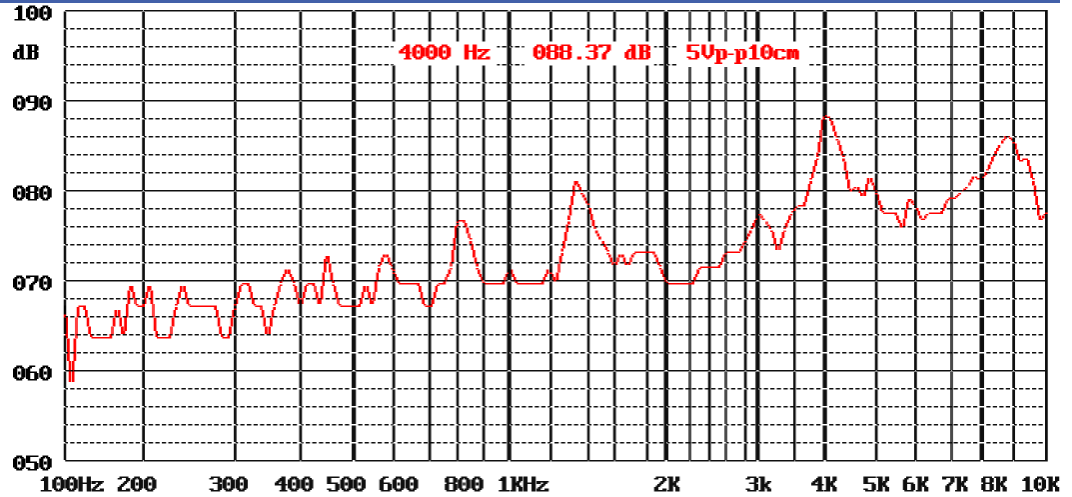
Operating Characteristics

ELECTRICAL

| | |
|------------------------|---------------------------|
| Rated Voltage | 5 Vp-p |
| Max Operating Voltage | 20 Vp-p |
| Max Current at V Rated | 1 mA |
| Capacitance | 15000 pF ± 30 % 100 Hz |

ACOUSTIC

| | |
|--------------------|---------------|
| Min SPL at V Rated | 78 dB |
| Test Conditions | 10 cm |
| f_0 | 4000 ± 500 Hz |



Physical Characteristics

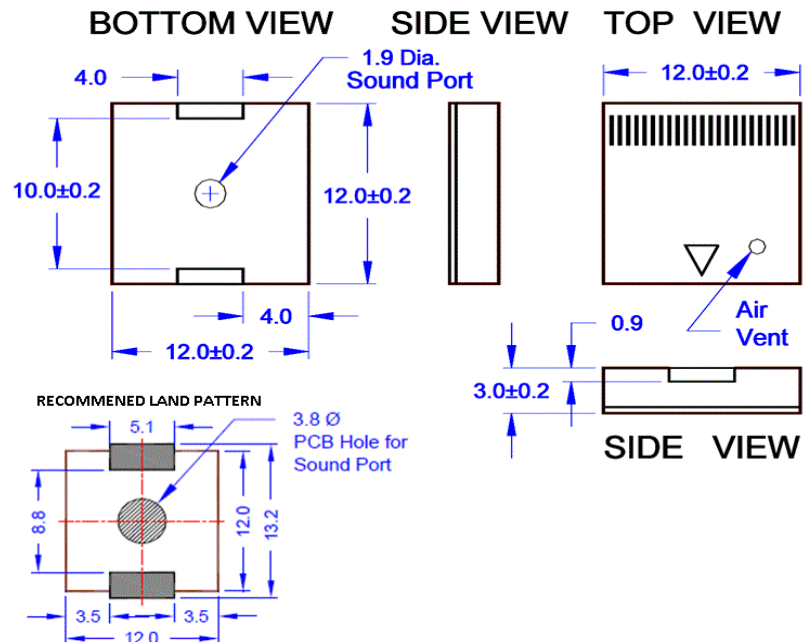
MATERIALS

| | |
|------------|---------------------------|
| Housing | Plastic, LCP Vectra E130i |
| Diaphragm | Ni Alloy Disc N42 |
| Solder Pad | Tin Plated Brass |

TEMPERATURE RANGES

| | |
|-----------|----------------|
| Operating | -40 to +105 °C |
| Storage | -40 to +120 °C |

Weight 0.8 g



| Revision | Description | By | Date |
|----------|---|----|------------|
| 2-2016 | Revised SPL from '88 dB Typical' to '83 dB Minimum' | WS | 2016-02-29 |
| 3-2019 | Migrate to new format | JL | 2019-06-21 |

Warranty: For a period of one (1) year from date of shipping under normal operations conditions This warranty does not apply to products damaged through misuse, abuse, improper installation, alteration, rework, or attempt to repair.