

INDICATORS • SPEAKERS • SOUND TRANSDUCERS • ENCLOSURES • MICROPHONES • BATTERY ACCESSORIES

## CT12E-15T240-3

Former P/N: CEET12A090-140-615-24P6.5LR

Rev. 2-2019  
RoHS3 & REACH  
Electromagnetic Sound Transducers



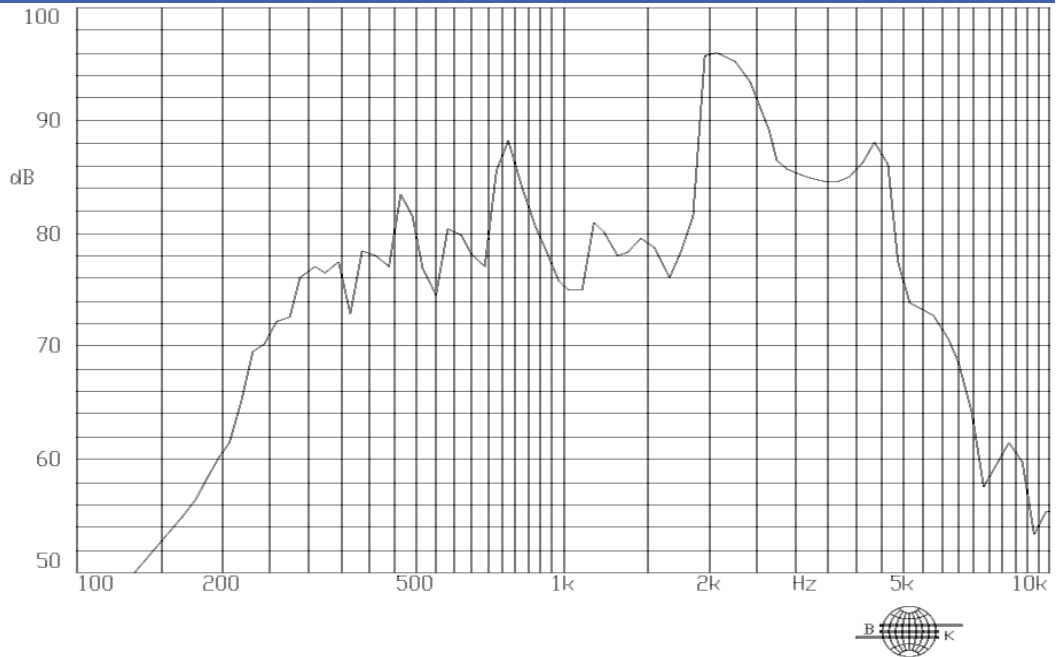
### Operating Characteristics

#### ELECTRICAL

|                        |              |
|------------------------|--------------|
| Rated Voltage          | 12 Vo-p      |
| Operating Voltage      | 6 to 15 Vo-p |
| Coil Resistance        | 140 ± 14 Ω   |
| Max Current at V Rated | 40 mA        |

#### ACOUSTIC

|                    |              |
|--------------------|--------------|
| Min SPL at V Rated | 85 dB        |
| Test Conditions    | 10 cm        |
| f <sub>o</sub>     | 2400 ± 24 Hz |



### Physical Characteristics

#### MATERIAL

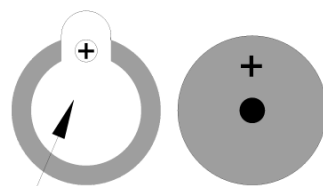
|           |                       |
|-----------|-----------------------|
| Housing   | Plastic, Noryl, Black |
| Diaphragm | Ni-alloy              |
| PC Pin    | Tin Plated Brass      |

#### TEMPERATURE RANGES

|           |               |
|-----------|---------------|
| Operating | -20 to +70 °C |
| Storage   | -30 to +80 °C |

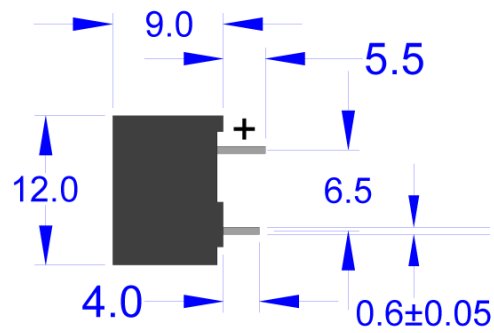
Weight 2 g

#### FRONT VIEW



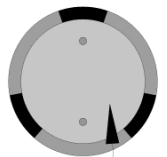
REMOVABLE WASHING LABEL

#### SIDE VIEW



EPOXY POTTING

#### BACK VIEW



| Revision | Description  | By | Date       |
|----------|--|----|------------|
| 1-2013   | Corrected pin spacing in the description from 7.6 to 6.5 | WS | 2013-07-01 |
| 2-2019   | Migrate to new format                                    | JL | 2019-06-21 |

Warranty: For a period of one (1) year from date of shipping under normal operations conditions This warranty does not apply to products damaged through misuse, abuse, improper installation, alteration, rework, or attempt to repair.

The information contained herein is believed to be correct, but no guarantee or warranty, express or implied, with respect to accuracy, completeness or results is extended and no liability is assumed. Challenge Electronics reserves the right to make changes in any specification, data or material contained herein.