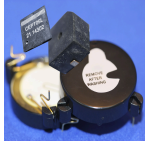


INDICATORS • SPEAKERS • SOUND TRANSDUCERS • ENCLOSURES • MICROPHONES • BATTERY ACCESSORIES

## CT10E-04S270-1

Former P/N: CEET105A025-16-2545-27MLR

Rev. 4-2020  
RoHS3 & REACH  
Electromagnetic Sound Transducers



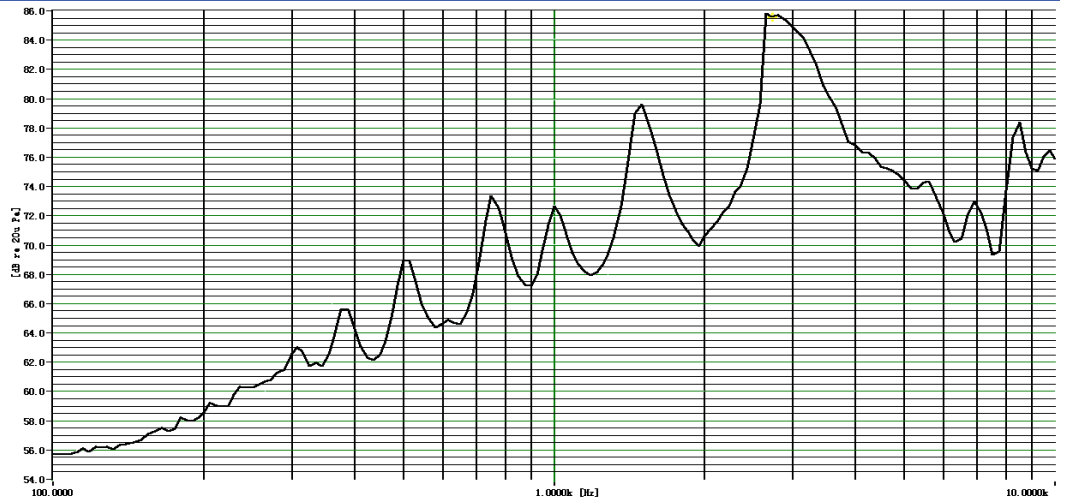
### Operating Characteristics

#### ELECTRICAL

Rated Voltage	3.6 Vo-p
Operating Voltage	2.5 to 4.5 Vo-p
Coil Resistance	16 ± 3 Ω
Max Current at V Rated	100 mA

#### ACOUSTIC

Min SPL at V Rated	85 dB
Test Conditions	10 cm
f <sub>o</sub>	2700



### Physical Characteristics

#### MATERIAL

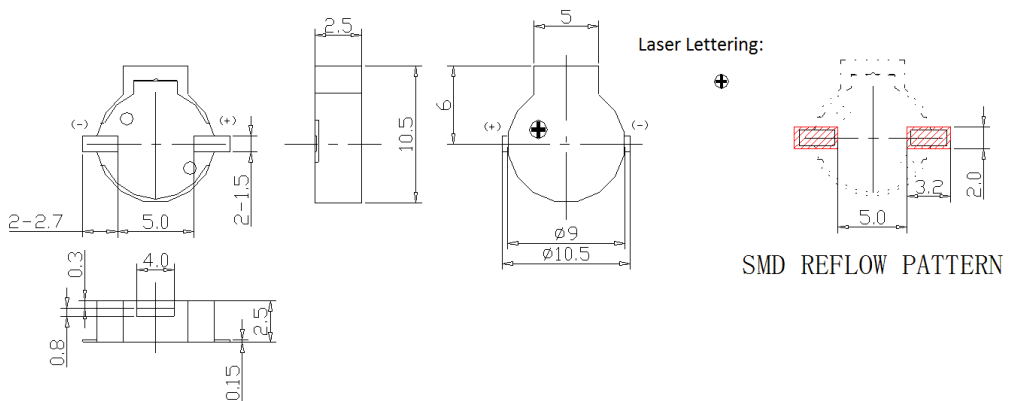
Housing	Plastic, LCP Vectra E130i
Diaphragm	Iron
Solder Pad	Red Copper (DSn)

#### TEMPERATURE RANGES

Operating	-40 to +85 °C
Storage	-40 to +85 °C

Weight	0.7 g
--------	-------

Unless otherwise specified, tolerance: ±0.5(unit:mm)



Revision	Description	By	Date
3-2019	Migrate to new format	JL	2019-06-21
4-2020	Replace mechanical dwg w/o old PN	WS	2020-03-05

Warranty: For a period of one (1) year from date of shipping under normal operations conditions This warranty does not apply to products damaged through misuse, abuse, improper installation, alteration, rework, or attempt to repair.

The information contained herein is believed to be correct, but no guarantee or warranty, express or implied, with respect to accuracy, completeness or results is extended and no liability is assumed. Challenge Electronics reserves the right to make changes in any specification, data or material contained herein.