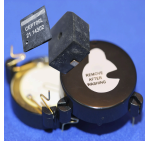


CT08E-06S400-2

Rev. 0-2020
RoHS3 & REACH
Electromagnetic Sound Transducers



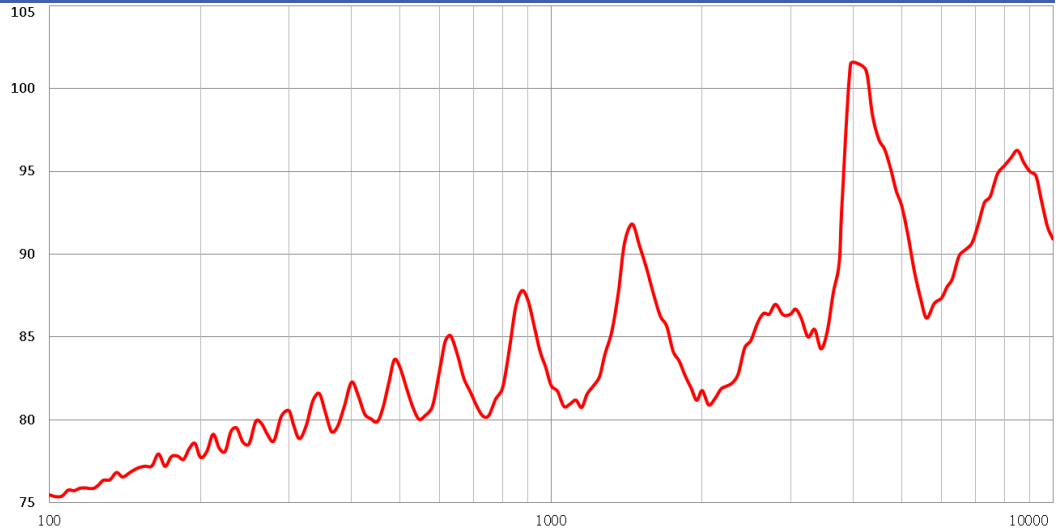
Operating Characteristics

ELECTRICAL

Rated Voltage	5.0 Vo-p
Operating Voltage	1.0 to 6.0 Vo-p
Coil Resistance	15 ± 3 Ω
Max Current at V Rated	150 mA

ACOUSTIC

Min SPL at V Rated	100 dB
Test Conditions	10 cm
f _o	4000 ± 500 Hz



Physical Characteristics

MATERIAL

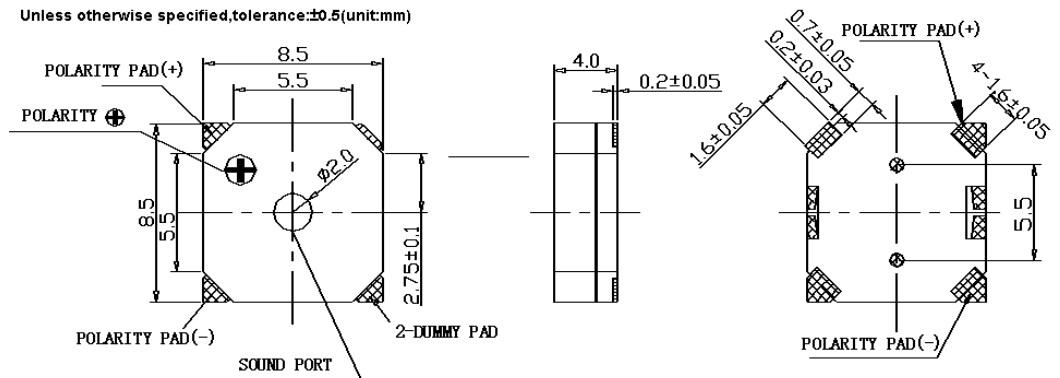
Housing	LCP
Diaphragm	Iron
Contact	Brass
Magnet	Bonded NdFeB

TEMPERATURE RANGES

Operating	-40 to +85 °C
Storage	-40 to +85 °C

Weight	0.6 g
--------	-------

Unless otherwise specified, tolerance: ±0.5 (unit: mm)



Revision	Description	By	Date
0-2020	Original Specification	WS	2020-04-23

Warranty: For a period of one (1) year from date of shipping under normal operations conditions This warranty does not apply to products damaged through misuse, abuse, improper installation, alteration, rework, or attempt to repair.

The information contained herein is believed to be correct, but no guarantee or warranty, express or implied, with respect to accuracy, completeness or results is extended and no liability is assumed. Challenge Electronics reserves the right to make changes in any specification, data or material contained herein.
©2020 Challenge Electronics, Inc. Pub. 20200429103939