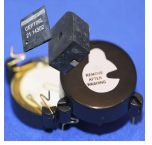


INDICATORS • SPEAKERS • SOUND TRANSDUCERS • ENCLOSURES • MICROPHONES • BATTERY ACCESSORIES

CT05E-05S400-5

Former P/N: CT05ES-05400-5

Rev. 1-2019
RoHS3 & REACH
Electromagnetic Sound Transducers



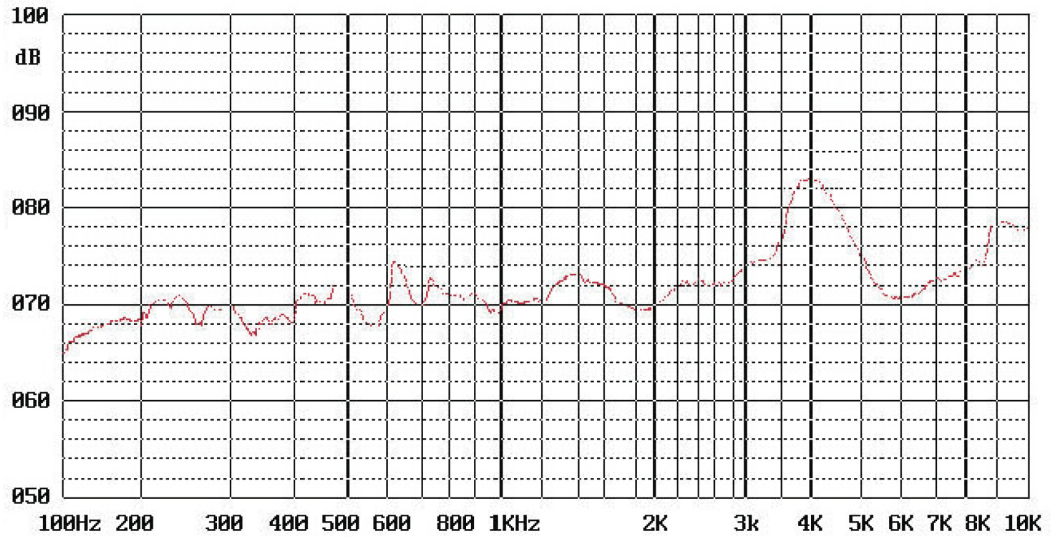
Operating Characteristics

ELECTRICAL

Rated Voltage	3 Vo-p
Operating Voltage	2 to 5 Vo-p
Coil Resistance	12 ± 2 Ω
Max Current at V Rated	100 mA

ACOUSTIC

Min SPL at V Rated	80 dB
Test Conditions	10 cm
f_o	4000



Physical Characteristics

MATERIAL

Housing	LCP
Diaphragm	Ni Alloy
Solder Pad	Copper and Tin

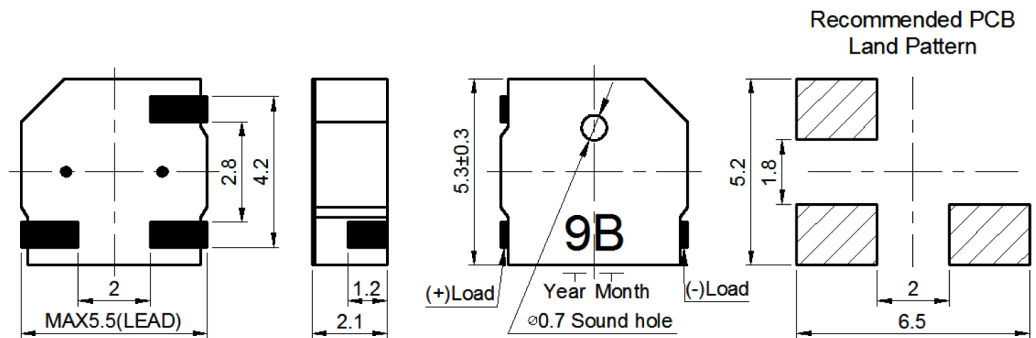
TEMPERATURE RANGES

Operating	-40 to +105 °C
Storage	-40 to +120 °C

Weight 0.12 g

DIMENSIONS (UNIT: mm)

Tolerance: ±0.5mm Unless Otherwise Specified



Revision	Description	By	Date
0-2019	Initial Specification Sheet	JL	2019-02-18
1-2019	Migrate to new format	JL	2019-06-24

Warranty: For a period of one (1) year from date of shipping under normal operations conditions This warranty does not apply to products damaged through misuse, abuse, improper installation, alteration, rework, or attempt to repair.

The information contained herein is believed to be correct, but no guarantee or warranty, express or implied, with respect to accuracy, completeness or results is extended and no liability is assumed. Challenge Electronics reserves the right to make changes in any specification, data or material contained herein.