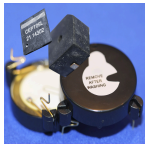


INDICATORS • SPEAKERS • SOUND TRANSDUCERS • ENCLOSURES • MICROPHONES • BATTERY ACCESSORIES

CT05E-04S310-1

Former P/N: CT05ES-04310-1

Rev. 1-2019
RoHS3 & REACH
Electromagnetic Sound Transducers



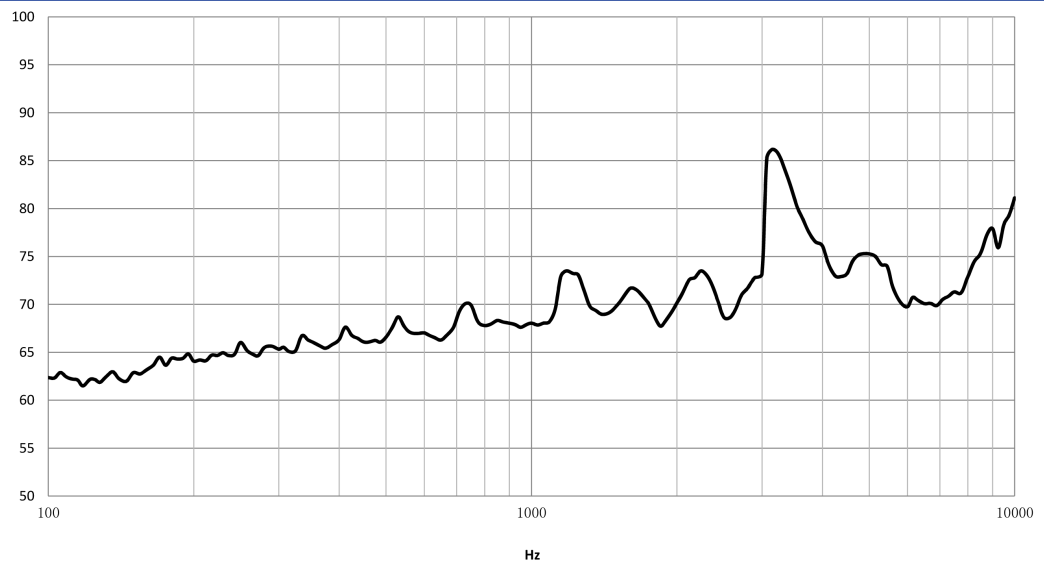
Operating Characteristics

ELECTRICAL

Rated Voltage	3.0 Vo-p
Operating Voltage	2.5 to 4.5 Vo-p
Coil Resistance	10 ± 1.5 Ω
Max Current at V Rated	120 mA

ACOUSTIC

Min SPL at V Rated	80 dB
Test Conditions	10 cm
f _o	3100 Hz



Physical Characteristics

MATERIAL

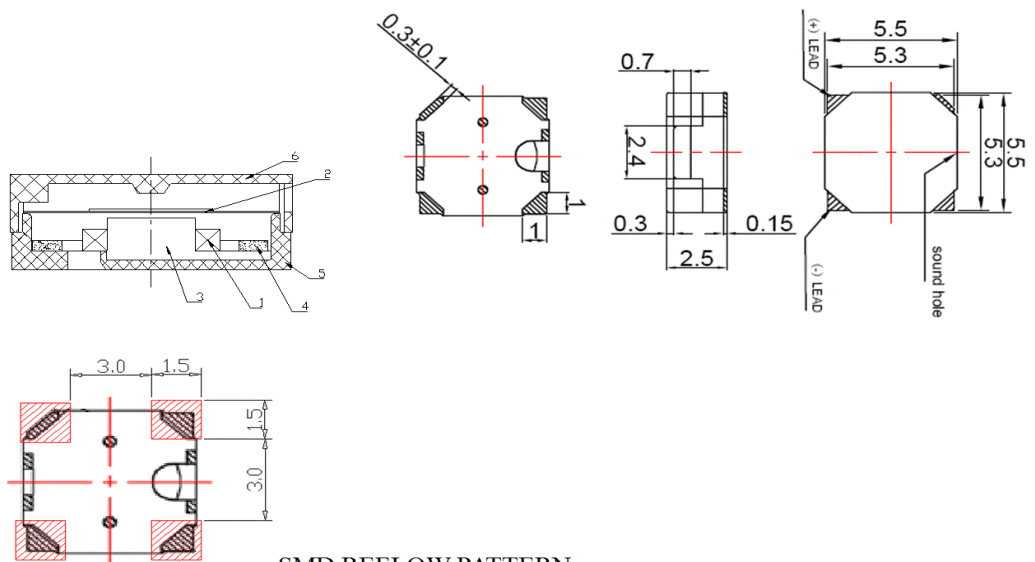
Housing	LCP
Diaphragm	Iron
Solder Pad	DSn (Brass)

TEMPERATURE RANGES

Operating	-40 to +85 °C
Storage	-40 to +85 °C

Weight	0.3 g
--------	-------

Unless otherwise specified, tolerance: ±0.5(unit: mm)



Revision	Description	By	Date
0-2019	Initial Specification Sheet	JL	2019-04-15
1-2019	Migrate to new format	JL	2019-06-24

Warranty: For a period of one (1) year from date of shipping under normal operations conditions This warranty does not apply to products damaged through misuse, abuse, improper installation, alteration, rework, or attempt to repair.