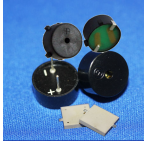


CT30Z-30W450-1

Former P/N: CPD30A10-4.5-W70R

 Rev. 1-2019
 RoHS3 & REACH
 Piezo Element Sound Transducers


Operating Characteristics

ELECTRICAL

| | |
|------------------------|---------------------------|
| Max Operating Voltage | 30 Vp-p |
| Max Resonant Impedance | 100 Ω |
| Capacitance | 90000 pF ± 30 % 100 Hz |

ACOUSTIC: Free Air

| | |
|-------|---------------|
| f_o | 4500 ± 500 Hz |
|-------|---------------|

Physical Characteristics

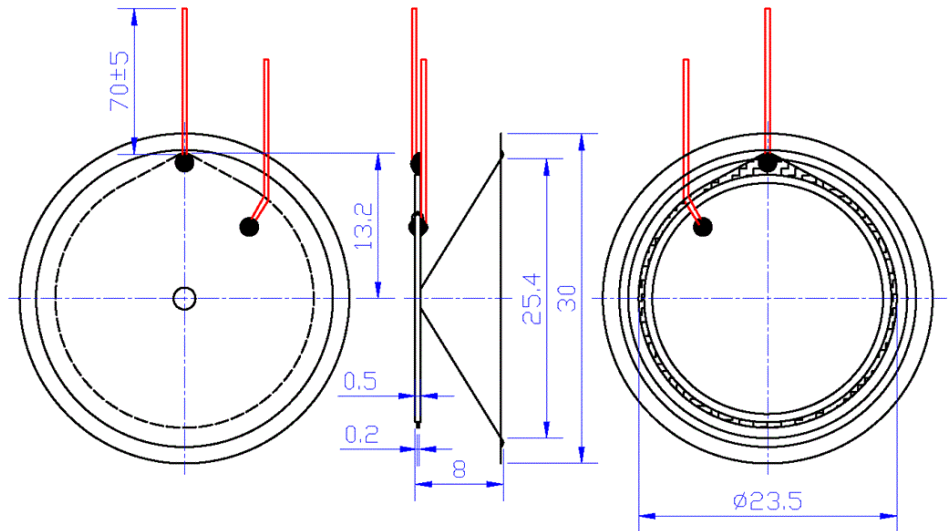
MATERIAL

| | |
|-----------|----------------------------|
| Diaphragm | Mylar |
| Wire | Enameled Braided Copper |

TEMPERATURE RANGES

| | |
|-----------|---------------|
| Operating | -20 to +70 °C |
| Storage | -30 to +80 °C |

| | |
|--------|-------|
| Weight | 1.4 g |
|--------|-------|



| Revision | Description | By | Date |
|----------|-----------------------|----|------------|
| 1-2019 | Migrate to new format | JL | 2019-06-21 |

Warranty: For a period of one (1) year from date of shipping under normal operations conditions This warranty does not apply to products damaged through misuse, abuse, improper installation, alteration, rework, or attempt to repair.

The information contained herein is believed to be correct, but no guarantee or warranty, express or implied, with respect to accuracy, completeness or results is extended and no liability is assumed. Challenge Electronics reserves the right to make changes in any specification, data or material contained herein.

©2019 Challenge Electronics, Inc. 20190826155729